

CHF09CD(I)/CHF09CD(O)	Wall Mounted Heat Pump System
Location: _____ Engineer: _____ Submitted to: _____ Submitted by: _____ Reference: _____	Approval: _____ Date: _____ Construction: _____ Unit #: _____ Drawing #: _____

**Set Model**  
 Indoor unit model CHF09CD(I)  
 Outdoor unit model CHF09CD(O)

**Certified**

AHRI



UL





### SYSTEM PERFORMANCE DATA

<b>Power supply</b>		
Normal Operational Voltage	(V, Ph, Hz)	208/230,1,60
Voltage Range	(V)	187-253
<b>Electrical</b>		
Minimum circuit ampacity	(A)	15.0
Max.fuse	(A)	15.0
Connection wiring		14*4 AWG
<b>Cooling</b>		
Rated Capacity	(Btu/h)	9000
Capacity Range	(Btu/h)	3300~14300
Power Input (Max)	(W)	556
Rated current	(A)	2.5
SEER	(Btu/W)	28.1
EER	(Btu/W)	16.2
<b>Heating at 47F</b>		
Rated Capacity	(Btu/h)	11800
Capacity Range	(Btu/h)	5000~15200
Power Input (Max)	(W)	907
Rated current	(A)	4.1
HSPF4	(Btu/W)	13.0
HSPF5	(Btu/W)	11.0
COP	W/W	3.81
<b>Heating at 17F</b>		
Max Capacity	(Btu/h)	12000
<b>REFRIGERANT PIPE DATA</b>		
Design pressure	(PSIG)	550/340
Refrigerant Type	(Oz)	R410A/41.62
Refrigerant precharge	(ft)	25.0
	(m)	7.6
Additional charge for each ft	(oz/ft)	0.16
	(g/ft)	15
Liquid side/ Gas side	(inch)	1/4" / 3/8"
	(mm)	6.35 / 9.52
Max. pipe length	(ft)	82.0
	(m)	25.0
Max. difference in level	(ft)	32.8
	(m)	10.0
Connection method		(Flared)
Indoor(cooling/ heating)	(Deg. °F)	60~90 / 32~81
	(Deg. °C)	16~32 / 0~27
Outdoor(cooling/heating)	(Deg. °F)	-22~122 / -22~75
	(Deg. °C)	-30~50 / -30~24
Application area	(sq.ft)	129.17~193.75
	(m2)	12~18

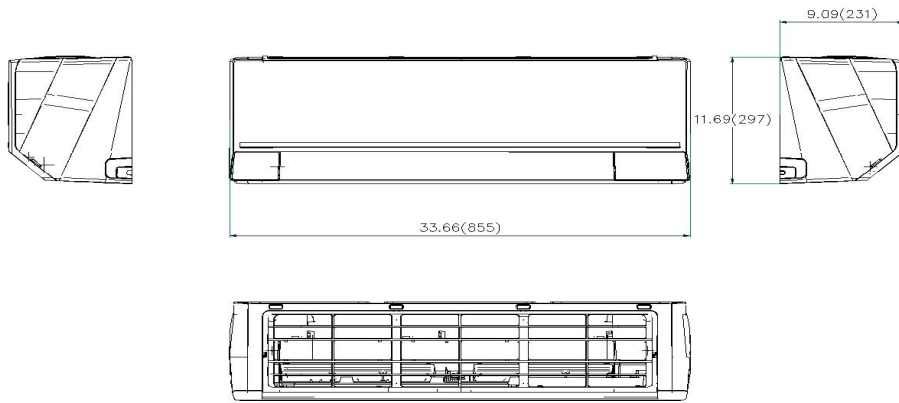
### INDOOR UNIT DATA

<b>Indoor fan motor</b>		
Type		Cross-Flow
Model		ZKFP-20-8-6-21
Qty		1
Input	(W)	50.0
RLA	(A)	0.25
LRA	(A)	---
Winding Resistance	(Ω)	---
Capacitor	(uF)	---
Speed(Hi/Mi/Lo)	(r/min)	1100/850/700
<b>Air flow &amp; Noise level</b>		
Indoor air flow (Hi/Med/Lo) (N)	(CFM)	335.29/229.41/176.47
Indoor noise level (Hi/Med/Lo)	[dB(A)]	38/33.5/23.5
<b>Dehumidification</b>		
	(Pint/H)	---
<b>Indoor unit</b>		
Dimension (WxDxH)	(inch)	33.66x9.09x11.69
	(mm)	855x231x297
Packing(WxDxH)	(inch)	36.22x12.20x14.57
	(mm)	920x310x370
Net/Gross weight	(lbs.)	22.71/28.88
	(kg)	10.3/13.1

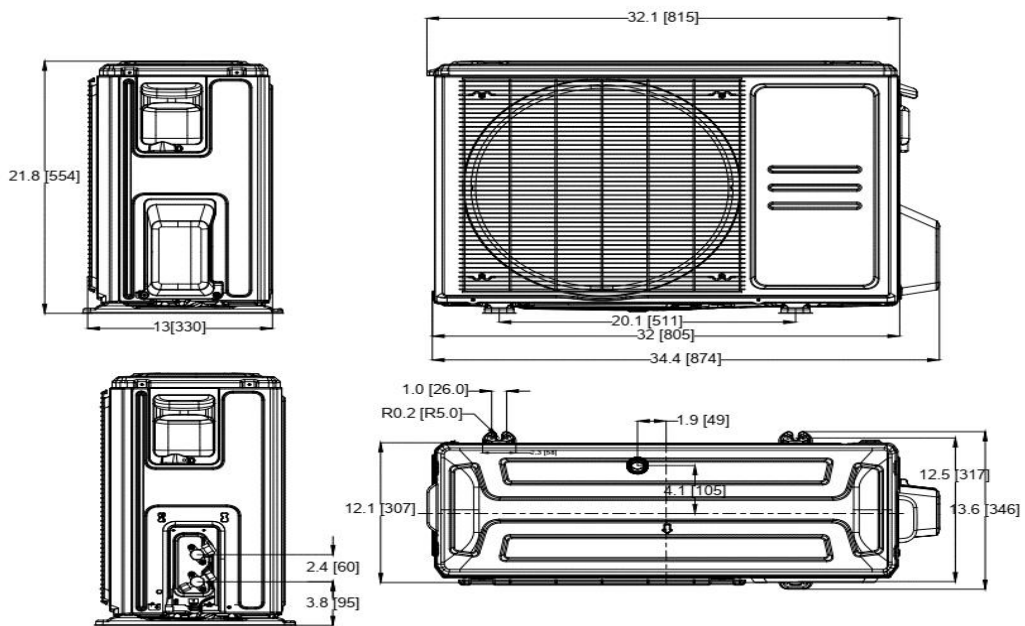
### OUTDOOR UNIT DATA

<b>Compressor</b>		
Type		KTN110D42UFZ
Model		DUAL ROTARY
Brand		GMCC
Capacity	(Btu/h)	11822.58
Input	(W)	885
Rated current (RLA)	(A)	-
Refrigerant oil/oil charge	(ml)	-
Throttle		Capillary +EXV
<b>Outdoor fan motor</b>		
Model		ZKFN-34-10-1
Qty		1
Input	(W)	---
RLA	(A)	---
Speed	(r/min)	850/680/450
<b>Air flow &amp; Noise level</b>		
Outdoor air flow (Max.)	(CFM)	1323.50
Outdoor noise level	[dB(A)]	54.5
<b>Outdoor unit</b>		
Dimension (W×D×H)	(inch)	31.69x12.99x21.81
	(mm)	805x330x554
Packing (W×D×H)	(inch)	36.02x14.57x24.21
	(mm)	915x370x615
Net/ Gross weight	(lbs.)	74.07/80.25
	(kg)	33.6/36.4

Indoor unit dimension



Outdoor unit dimension



**General Features**

Intelligent Eye(optional)  
Easy Installation  
Easy Maintenance  
Easy Clean  
High Efficiency  
Wireless Remote with LCD Display

**Extended Performance Data**

CHF12CD(I)/CHF12CD(O)	Wall Mounted Heat Pump System
Location: _____ Engineer: _____ Submitted to: _____ Submitted by: _____ Reference: _____	Approval: _____ Date: _____ Construction: _____ Unit #: _____ Drawing #: _____

**Set Model**  
 Indoor unit model CHF12CD(I)  
 Outdoor unit model CHF12CD(O)

**Certified**

AHRI



UL





### SYSTEM PERFORMANCE DATA

<b>Power supply</b>		
Normal Operational Voltage	(V, Ph, Hz)	208/230,1,60
Voltage Range	(V)	187-253
<b>Electrical</b>		
Minimum circuit ampacity	(A)	15.0
Max.fuse	(A)	15.0
Connection wiring		14*4 AWG
<b>Cooling</b>		
Rated Capacity	(Btu/h)	12000
Capacity Range	(Btu/h)	3300~14300
Power Input (Max)	(W)	857
Rated current	(A)	3.72
SEER	(Btu/W)	25.5
EER	(Btu/W)	14
<b>Heating at 47F</b>		
Rated Capacity	(Btu/h)	12000
Capacity Range	(Btu/h)	5000~15300
Power Input (Max)	(W)	907
Rated current	(A)	4.1
HSPF4	(Btu/W)	13
HSPF5	(Btu/W)	10.5
COP	W/W	3.88
<b>Heating at 17F</b>		
Max Capacity	(Btu/h)	12000
<b>REFRIGERANT PIPE DATA</b>		
Design pressure	(PSIG)	550/340
Refrigerant Type	(Oz)	R410A/41.62
Refrigerant precharge	(ft)	25.0
	(m)	7.6
Additional charge for each ft	(oz/ft)	0.16
	(g/ft)	15
Liquid side/ Gas side	(inch)	1/4" / 1/2"
	(mm)	6.35/12.7
Max. pipe length	(ft)	82.0
	(m)	25.0
Max. difference in level	(ft)	32.8
	(m)	10.0
Connection method		(Flared)
Indoor(cooling/ heating)	(Deg. °F)	60~90 / 32~81
	(Deg. °C)	16~32 / 0~27
Outdoor(cooling/heating)	(Deg. °F)	-22~122 / -22~75
	(Deg. °C)	-30~50 / -30~24
Application area	(sq.ft)	172.22~247.57
	(m2)	16~23

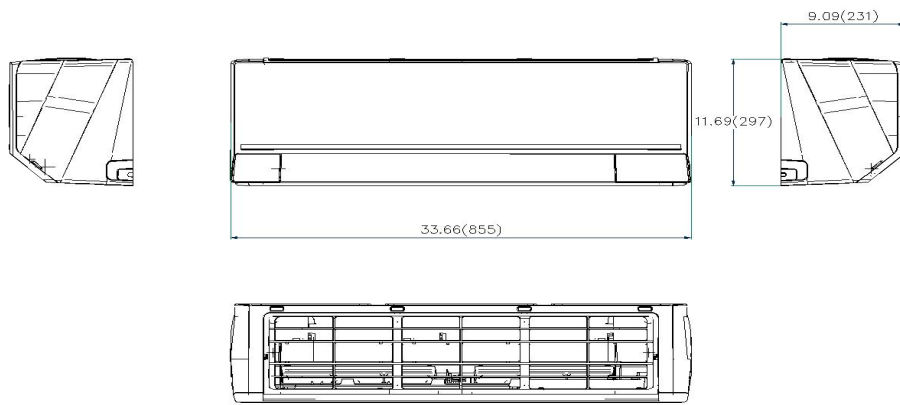
### INDOOR UNIT DATA

<b>Indoor fan motor</b>		
Type		Cross-Flow
Model		ZKFP-20-8-6-21
Qty		1
Input	(W)	50.0
RLA	(A)	0.25
LRA	(A)	---
Winding Resistance	(Ω)	---
Capacitor	(uF)	---
Speed(Hi/Mi/Lo)	(r/min)	1050/930/870
<b>Air flow &amp; Noise level</b>		
Indoor air flow (Hi/Med/Lo) (N)	(CFM)	335.29/229.41/176.47
Indoor noise level (Hi/Med/Lo)	[dB(A)]	38/33.5/23.5
<b>Dehumidification</b>	(Pint/H)	---
<b>Indoor unit</b>		
Dimension (WxDxH)	(inch)	33.66x9.09x11.69
	(mm)	855x231x297
Packing(WxDxH)	(inch)	36.22x12.20x14.57
	(mm)	920x310x370
Net/Gross weight	(lbs.)	22.93/28.88
	(kg)	10.4/13.1

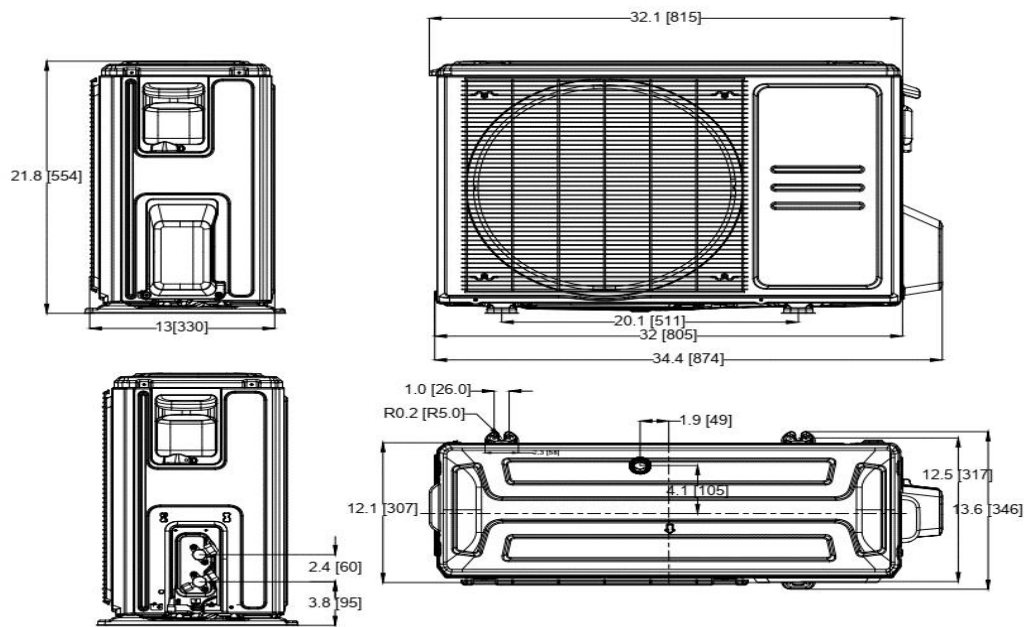
### OUTDOOR UNIT DATA

<b>Compressor</b>		
Type		KTN110D42UFZ
Model		DUAL ROTARY
Brand		GMCC
Capacity	(Btu/h)	11822.58
Input	(W)	885
Rated current (RLA)	(A)	-
Refrigerant oil/oil charge	(ml)	-
Throttle		Capillary + EXV
<b>Outdoor fan motor</b>		
Model		ZKFN-34-10-1
Qty		1
Input	(W)	---
RLA	(A)	---
Speed	(r/min)	850/680/450
<b>Air flow &amp; Noise level</b>		
Outdoor air flow (Max.)	(CFM)	1323.50
Outdoor noise level	[dB(A)]	56
<b>Outdoor unit</b>		
Dimension (W×D×H)	(inch)	31.69x12.99x21.81
	(mm)	805x330x554
Packing (W×D×H)	(inch)	36.02x14.57x24.21
	(mm)	915x370x615
Net/ Gross weight	(lbs.)	73.63/79.37
	(kg)	33.4/36

Indoor unit dimension



Outdoor unit dimension



**General Features**

Intelligent Eye(optional)  
Easy Installation  
Easy Maintenance  
Easy Clean  
High Efficiency  
Wireless Remote with LCD Display

**Extended Performance Data**

CHF18CD(I)/CHF18CD(O)	Wall Mounted Heat Pump System
Location: _____	Approval: _____
Engineer: _____	Date: _____
Submitted to: _____	Construction: _____
Submitted by: _____	Unit #: _____
Reference: _____	Drawing #: _____

<b>Set Code</b>	
Indoor unit code	
Outdoor unit code	
<b>Set Model</b>	
Indoor unit model	CHF18CD(I)
Outdoor unit model	CHF18CD(O)
<b>Certified</b>	
AHRI	
UL	



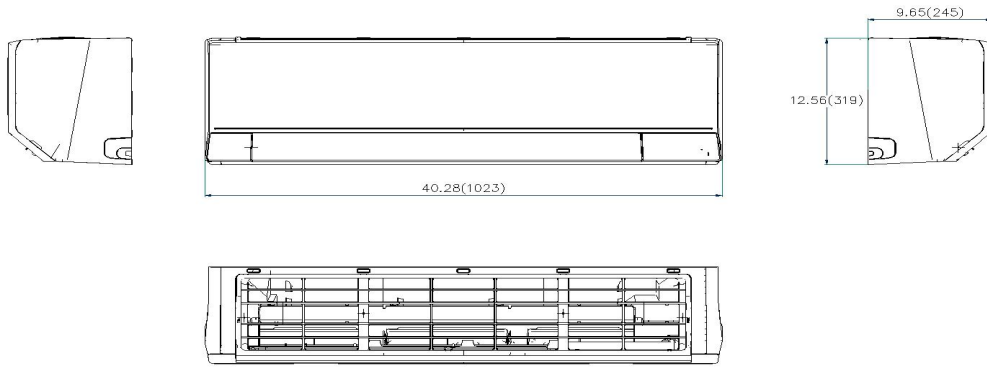
SYSTEM PERFORMANCE DATA		
<b>Power supply</b>		
Normal Operational Voltage	(V, Ph, Hz)	208/230,1,60
Voltage Range	(V)	187-253
<b>Electrical</b>		
Minimum circuit ampacity	(A)	16.0
Max.fuse	(A)	25.0
Connection wiring		14*4 AWG
<b>Cooling</b>		
Rated Capacity	(Btu/h)	18000
Capacity Range	(Btu/h)	8870~19400
Power Input (Max)	(W)	1440
Rated current	(A)	6.3
SEER	(Btu/W)	21.5
EER	(Btu/W)	12.5
<b>Heating at 47F</b>		
Rated Capacity	(Btu/h)	18000
Capacity Range	(Btu/h)	15100~19500
Power Input (Max)	(W)	1700
Rated current	(A)	7.3
HSPF4	(Btu/W)	13
HSPF5	(Btu/W)	11
COP	W/W	3.10
<b>Heating at 17F</b>		
Max Capacity	(Btu/h)	20270

REFRIGERANT PIPE DATA		
Design pressure	(PSIG)	550/340
Refrigerant Type	(Oz)	R410A/65.2
Refrigerant precharge	(ft)	25.0
	(m)	7.6
Additional charge for each ft	(oz/ft)	0.16
	(g/ft)	15
Liquid side/ Gas side	(inch)	1/4" / 1/2"
	(mm)	6.35/12.7
Max. pipe length	(ft)	98.0
	(m)	30.0
Max. difference in level	(ft)	66.0
	(m)	20.0
Connection method		(Flared)
Indoor(cooling/ heating)	(Deg. °F)	63~90 / 32~86
	(Deg. °C)	17~32 / 0~30
Outdoor(cooling/heating)	(Deg. °F)	-22~-122 / -22~-75
	(Deg. °C)	-30~50 / -30~24
Application area	(sq.ft)	258.33~376.74
	(m2)	24~35

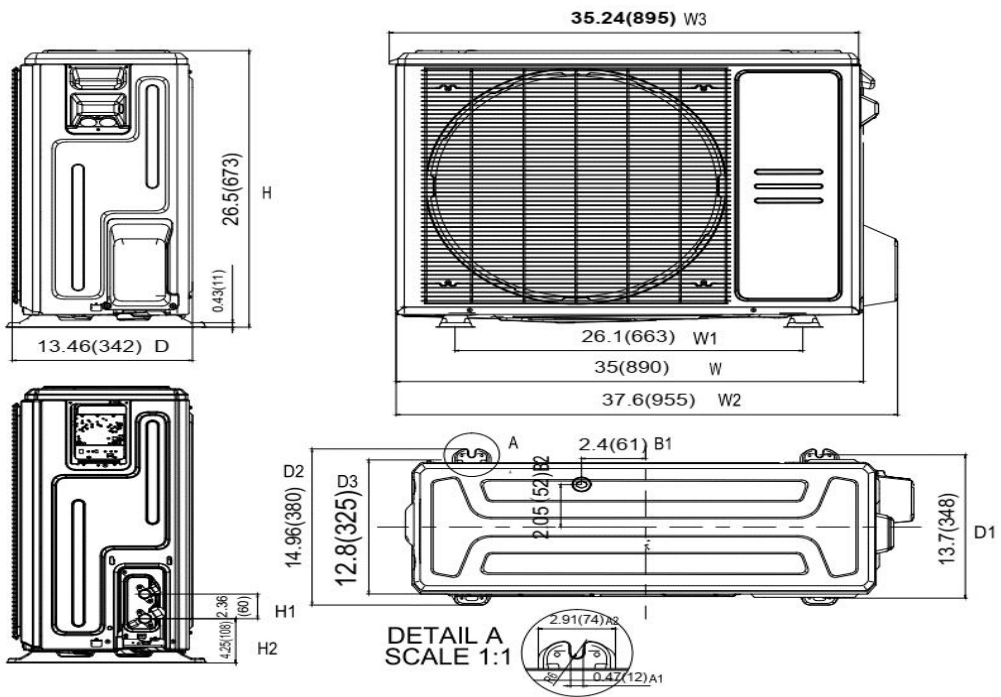
INDOOR UNIT DATA		
<b>Indoor fan motor</b>		
Type		Cross-Flow
Model		ZKFP-30-8-3-10
Qty		1
Input	(W)	36.0
RLA	(A)	0.4
LRA	(A)	---
Winding Resistance	(Ω)	---
Capacitor	(uF)	---
Speed(Hi/Mi/Lo)	(r/min)	1240/1024/916
<b>Air flow &amp; Noise level</b>		
Indoor air flow (Hi/Med/Lo) (N)	(CFM)	523.53/376.47/305.88
Indoor noise level (Hi/Med/Lo)	[dB(A)]	46/42/24
<b>Dehumidification</b>		
	(Pint/H)	---
<b>Indoor unit</b>		
Dimension (WxDxH)	(inch)	40.28x9.65x12.56
	(mm)	1023x245x319
Packing(WxDxH)	(inch)	43.11x12.80x15.75
	(mm)	1095x325x400
Net/Gross weight	(lbs.)	27.12/35.71
	(kg)	12.3/16.2

OUTDOOR UNIT DATA		
<b>Compressor</b>		
Type		KTM240D43UKT
Model		DUAL ROTARY
Brand		GMCC
Capacity	(Btu/h)	25932.27641
Input	(W)	2045
Rated current (RLA)	(A)	-
Refrigerant oil/oil charge	(ml)	-
Throttle		Capillary + EXV
<b>Outdoor fan motor</b>		
Model		ZKFN-80-8-3
Qty		1
Input	(W)	--
RLA	(A)	--
Speed	(r/min)	810/720
<b>Air flow &amp; Noise level</b>		
Outdoor air flow (Max.)	(CFM)	1764.70
Outdoor noise level	[dB(A)]	59
<b>Outdoor unit</b>		
Dimension (W×D×H)	(inch)	35.04x13.46x26.50
	(mm)	890x342x673
Packing (W×D×H)	(inch)	39.17x15.67x29.13
	(mm)	995x398x740
Net/ Gross weight	(lbs.)	100.97/108.03
	(kg)	45.8/49

Indoor unit dimension



Outdoor unit dimension





**General Features**

Intelligent Eye(optional)  
Easy Installation  
Easy Maintenance  
Easy Clean  
High Efficiency  
Wireless Remote with LCD Display

**Extended Performance Data**

CHF24CD(I)/CHF24CD(O)	Wall Mounted Heat Pump System
Location: _____ Engineer: _____ Submitted to: _____ Submitted by: _____ Reference: _____	Approval: _____ Date: _____ Construction: _____ Unit #: _____ Drawing #: _____

**Set Model**  
 Indoor unit model CHF24CD(I)  
 Outdoor unit model CHF24CD(O)

**Certified**

AHRI 

UL 



### SYSTEM PERFORMANCE DATA

<b>Power supply</b>		
Normal Operational Voltage	(V, Ph, Hz)	208/230,1,60
Voltage Range	(V)	187-253
<b>Electrical</b>		
Minimum circuit ampacity	(A)	25.0
Max.fuse	(A)	35.0
Connection wiring		14*4 AWG
<b>Cooling</b>		
Rated Capacity	(Btu/h)	24000
Capacity Range	(Btu/h)	6850~27000
Power Input (Max)	(W)	1845
Rated current	(A)	8.1
SEER	(Btu/W)	21.5
EER	(Btu/W)	13
<b>Heating at 47F</b>		
Rated Capacity	(Btu/h)	29000
Capacity Range	(Btu/h)	11900~31000
Power Input (Max)	(W)	2500
Rated current	(A)	10.9
HSPF4	(Btu/W)	12
HSPF5	(Btu/W)	10
COP	W/W	3.40
<b>Heating at 17F</b>		
Max Capacity	(Btu/h)	19800
<b>REFRIGERANT PIPE DATA</b>		
Design pressure	(PSIG)	550/340
Refrigerant Type	(Oz)	R410A/91.7
Refrigerant precharge	(ft)	25.0
	(m)	7.6
Additional charge for each ft	(oz/ft)	0.32
	(g/ft)	30
Liquid side/ Gas side	(inch)	3/8" / 5/8"
	(mm)	9.52/15.9
Max. pipe length	(ft)	164.0
	(m)	50.0
Max. difference in level	(ft)	82.0
	(m)	25.0
Connection method		(Flared)
Indoor(cooling/ heating)	(Deg. °F)	63~90 / 32~86
	(Deg. °C)	17~32 / 0~30
Outdoor(cooling/heating)	(Deg. °F)	-22~122 / -22~75
	(Deg. °C)	-30~50 / -30~24
Application area	(sq.ft)	344.44~505.90
	(m2)	32~47

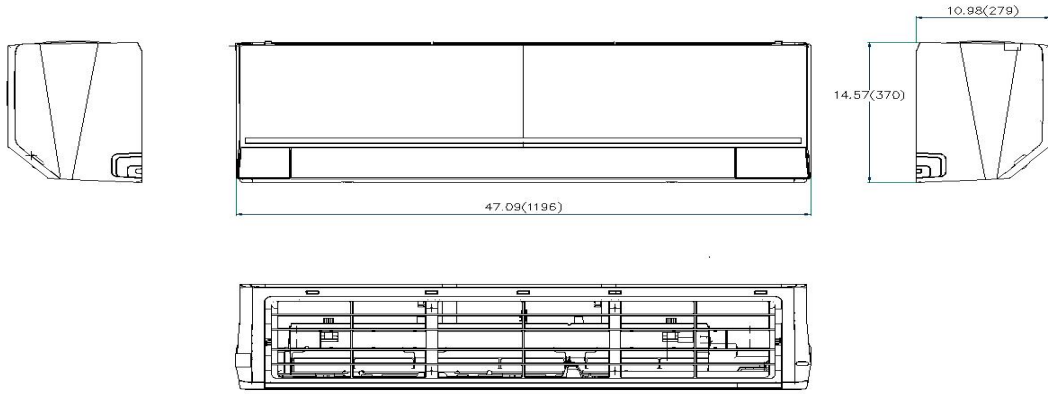
### INDOOR UNIT DATA

<b>Indoor fan motor</b>		
Type		Cross-Flow
Model		ZKFP-58-8-1-6
Qty		1
Input	(W)	58.0
RLA	(A)	0.5
LRA	(A)	---
Winding Resistance	(Ω)	---
Capacitor	(uF)	---
Speed(Hi/Mi/Lo)	(r/min)	1000/850/700
<b>Air flow &amp; Noise level</b>		
Indoor air flow (Hi/Med/Lo) (N)	(CFM)	611.18/414.12/318.82
Indoor noise level (Hi/Med/Lo)	[dB(A)]	46/39/34
<b>Dehumidification</b>		
	(Pint/H)	---
<b>Indoor unit</b>		
Dimension (WxDxH)	(inch)	47.09x10.98x14.57
	(mm)	1196x279x370
Packing(WxDxH)	(inch)	50.39x14.17x17.91
	(mm)	1280x360x455
Net/Gross weight	(lbs.)	43.65/54.89
	(kg)	19.8/24.9

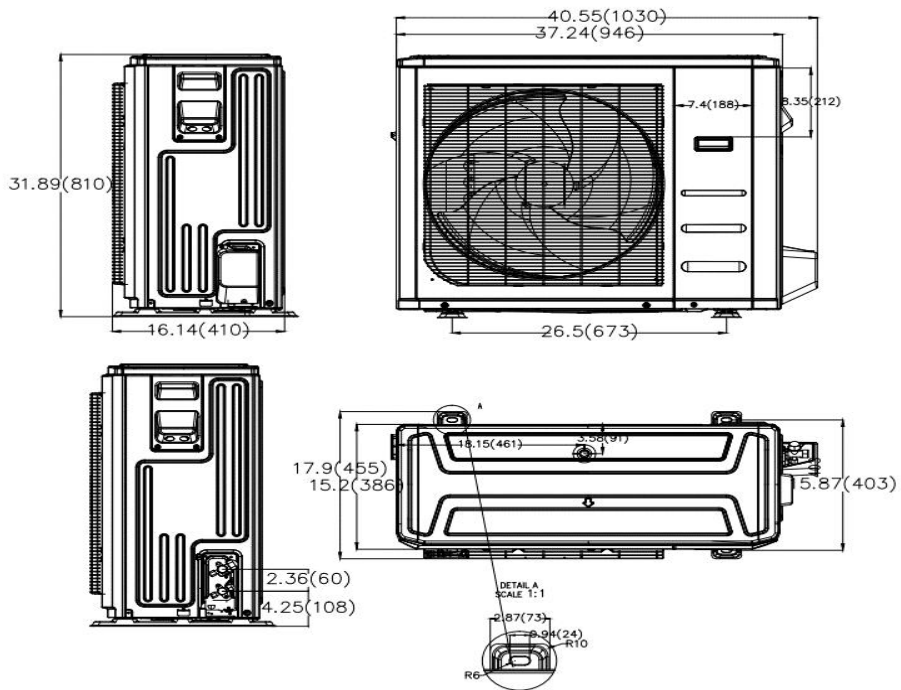
### OUTDOOR UNIT DATA

<b>Compressor</b>		
Type		KTM240D43UKT
Model		DUAL ROTARY
Brand		GMCC
Capacity	(Btu/h)	25932.27641
Input	(W)	2045
Rated current (RLA)	(A)	-
Refrigerant oil/oil charge	(ml)	-
Throttle		Capillary + EXV
<b>Outdoor fan motor</b>		
Model		ZKFN-120-8-2
Qty		1
Input	(W)	---
RLA	(A)	---
Speed	(r/min)	1150/1050/900/850
<b>Air flow &amp; Noise level</b>		
Outdoor air flow (Max.)	(CFM)	2235.30
Outdoor noise level	[dB(A)]	62
<b>Outdoor unit</b>		
Dimension (W×D×H)	(inch)	37.24x16.14x31.89
	(mm)	946x410x810
Packing (W×D×H)	(inch)	42.91x19.69x34.84
	(mm)	1090x500x885
Net/ Gross weight	(lbs.)	134.48/144.40
	(kg)	61/65.5

Indoor unit dimension



Outdoor unit dimension



**General Features**

Intelligent Eye(optional)  
Easy Installation  
Easy Maintenance  
Easy Clean  
High Efficiency  
Wireless Remote with LCD Display

**Extended Performance Data**