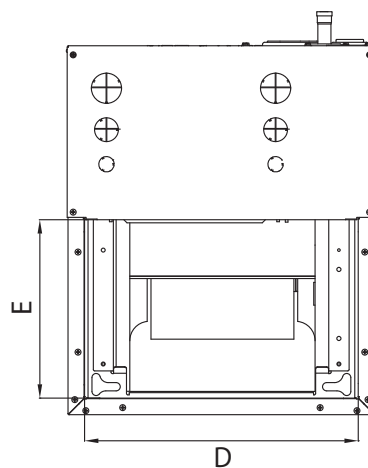
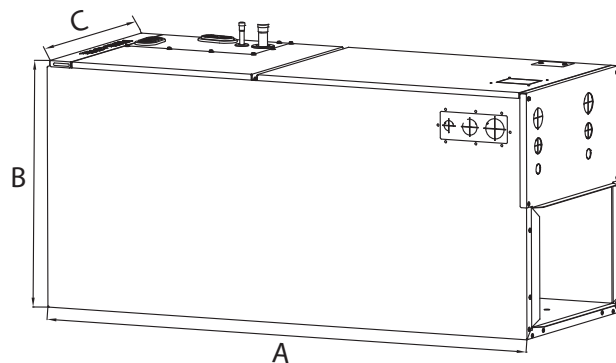


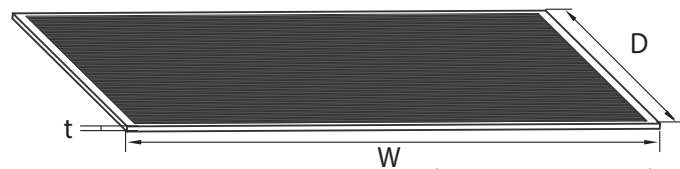
Indoor parts installation size



(unit: mm/inch)

MODEL(Btu/h) Dimensions	12K~24K	30K~48K	60K
Length of A	1143/45	1245/49	1346/53
Length of B	533/21	533/21	533/21
Length of C	445/17.5	533/21	622/24.5
Length of D	400/15.75	490/19.3	580/22.85
Length of E	260/10.24	260/10.24	260/10.24

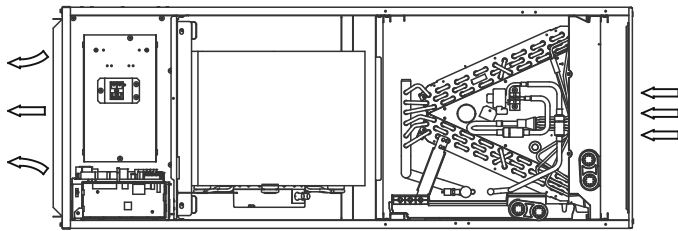
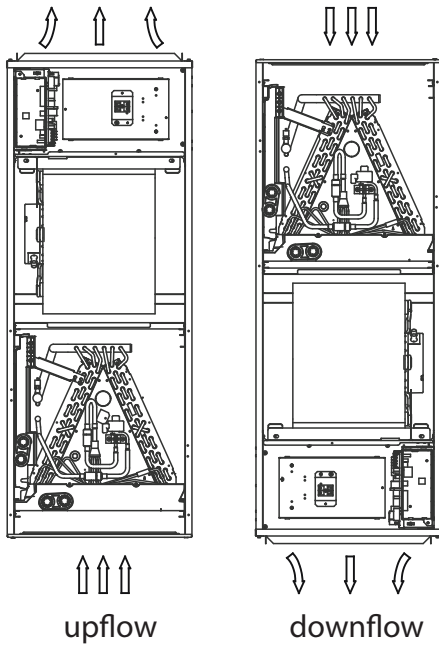
Recommended size of filter



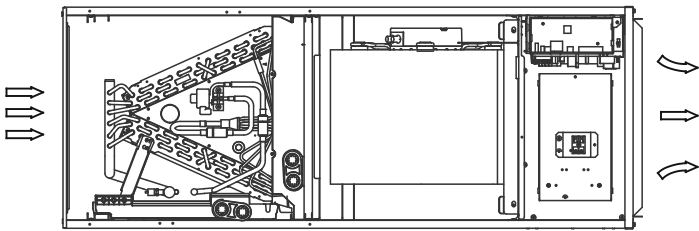
(unit: mm/inch)

MODEL(Btu/h)	W	D	t
18-24K	406.4/16	508/20	25.4/1
30-36K	495.3/19.5	508/20	25.4/1
48-60K	584.2/23	508/20	25.4/1

The unit may be installed in one of the upflow, downflow, horizontal left or horizontal right orientations .



horizontal left



horizontal right

NOTE: Vertical up and horizontal left installations, no need to change the direction of evaporator.