



CGS09CD(I)/CGS09CD(O)	9,000 BTU/H(208/230V)	Wall Mounted Heat Pump System
Location: _____	Approval: _____	
Engineer: _____	Date: _____	
Submitted to: _____	Construction: _____	
Submitted by: _____	Unit #: _____	
Reference: _____	Drawing #: _____	

Set Model
 Indoor unit model CGS09CD(I)
 Outdoor unit model CGS09CD(O)

Certified

AHRI 

UL 



SYSTEM PERFORMANCE DATA

Power supply		
Normal Operational Voltage	(V, Ph, Hz)	208/230, 1, 60
Voltage Range	(V)	187-253
Electrical		
Minimum circuit ampacity	(A)	3.0
Max.fuse	(A)	15
Connection wiring		14*4 AWG
Cooling		
Rated Capacity	(Btu/h)	9000
Capacity Range	(Btu/h)	2900~10500
Power Input (Max)	(W)	715
Rated current	(A)	3.11
SEER	(Btu/W)	21.5
EER	(Btu/W)	12.6

Heating at 47F		
Rated Capacity	(Btu/h)	10000
Capacity Range	(Btu/h)	2400~10500
Power Input (Max)	(W)	905
Rated current	(A)	3.94
HSPF4	(Btu/W)	10.0
HSPF5	(Btu/W)	8.3
COP	W/W	3.24

Heating at 17F		
Max Capacity	(Btu/h)	6000

REFRIGERANT PIPE DATA

Design pressure	(PSIG)	550/340
Refrigerant Type	(Oz)	R410A/25.4
Refrigerant precharge	(ft)	25.0
	(m)	7.6
Additional charge for each ft	(oz/ft)	0.16
	(g/ft)	15
Liquid side/ Gas side	(inch)	1/4" / 3/8"
	(mm)	φ6.35 / φ9.52
Max. pipe length	(ft)	82.0
	(m)	25.0
Max. difference in level	(ft)	32.8
	(m)	10.0
Connection method		(Flared)

INDOOR UNIT DATA

Indoor fan motor		
Type		Cross-Flow
Model		ZKFP-13-8-4
Qty		1
Input	(W)	-
RLA	(A)	-
LRA	(A)	---
Winding Resistance	(Ω)	---
Capacitor	(uF)	---
Speed(Hi/Mi/Lo)	(r/min)	1050/810/690
Air flow & Noise level		
Indoor air flow (Hi/Med/Lo) (l)	(CFM)	246.47/176.47/141.18
Indoor noise level (Hi/Med/L)	[dB(A)]	37/28/20
Dehumidification		
	(Pint/H)	---
Indoor unit		
Dimension (WxDxH)	(inch)	28.70x7.87x11.50
	(mm)	729x200x292
Packing(WxDxH)	(inch)	31.10x10.63x14.76
	(mm)	790x270x375
Net/Gross weight	(lbs.)	17.64/22.49
	(kg)	8.0/10.2

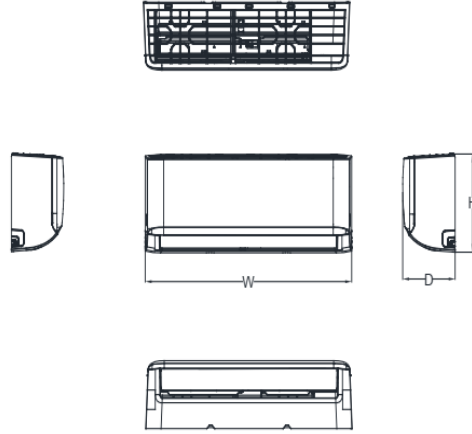
OUTDOOR UNIT DATA

Compressor		
Type		KSK103D33UEZ3
Model		ROTARY
Brand		GMCC
Capacity	(Btu/h)	6944 / 11107
Input	(W)	325 / 826
Rated current (RLA)	(A)	-
Refrigerant oil/oil charge	(ml)	-
Throttle		Capillary
Outdoor fan motor		
Model		ZKFN-34-10-1-3
Qty		1
Input	(W)	--
RLA	(A)	--
Speed	(r/min)	800/600
Air flow & Noise level		
Outdoor air flow (Max.)	(CFM)	1294,12
Outdoor noise level	[dB(A)]	54,50
Outdoor unit		
Dimension (WxDxH)	(inch)	30.12x11.93x21.85

Indoor(cooling/ heating)	(Deg. °F)	60~90 / 32~86
	(Deg. °C)	16~32 / 0~30
Outdoor(cooling/heating)	(Deg. °F)	5~122 / 5~75
	(Deg. °C)	-15~50 / -15~24
Application area	(sq.ft)	129.17~193.75
	(m2)	12~18

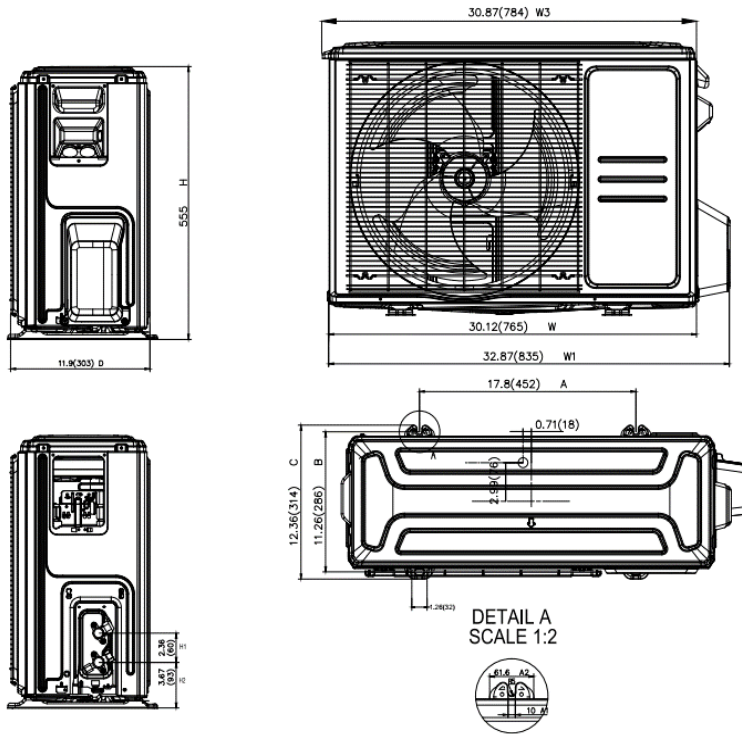
Packing (W×D×H)	(mm)	765x303x555
	(inch)	34.92x13.27x24.02
Net/ Gross weight	(mm)	887x337x610
	(lbs.)	55.11/60.85
	(kg)	25.0/27.6

Indoor unit dimension



Capacity	Body Code	W(mm/inch)	D(mm/inch)	H(mm/inch)
6K-11K	A	729/28.7	200/7.87	292/11.5
8K-14K	B	802/31.57	200/7.87	295/11.61
12K-21K	C	971/38.23	228/8.98	321/12.64
18K-28K	D	1082/42.6	234/9.21	337/13.27
27K-36K	F	1259/49.57	283/11.14	362/14.25

Outdoor unit dimension





General Features

Wireless Remote with LCD Display

46F Heating

Sleep Mode

Silent Mode

Self Clean

Follow Me (optional)

Extended Performance Data

