



CGS30CD(I)/CGS30CD(O)	30,000 BTU/H(208/230V)	Wall Mounted Heat Pump System
Location: _____	Approval: _____	
Engineer: _____	Date: _____	
Submitted to: _____	Construction: _____	
Submitted by: _____	Unit #: _____	
Reference: _____	Drawing #: _____	

Set Model
 Indoor unit model CGS30CD(I)
 Outdoor unit model CGS30CD(O)

Certified

AHRI 

UL 



SYSTEM PERFORMANCE DATA		
Power supply		
Normal Operational Voltage	(V, Ph, Hz)	208/230, 1, 60
Voltage Range	(V)	187-253
Electrical		
Minimum circuit ampacity	(A)	23.0
Max.fuse	(A)	30.0
Connection wiring		14*4 AWG
Cooling		
Rated Capacity	(Btu/h)	30000
Capacity Range	(Btu/h)	7200~31600
Power Input (Max)	(W)	2855
Rated current	(A)	12.4
SEER	(Btu/W)	20
EER	(Btu/W)	12.2
Heating at 47F		
Rated Capacity	(Btu/h)	30000
Capacity Range	(Btu/h)	11700~32000
Power Input (Max)	(W)	2750
Rated current	(A)	12.46
HSPF4	(Btu/W)	10
HSPF5	(Btu/W)	7.7
COP	W/W	3.20
Heating at 17F		
Max Capacity	(Btu/h)	17100

REFRIGERANT PIPE DATA		
Design pressure	(PSIG)	550/340
Refrigerant Type	(Oz)	R410A/97
Refrigerant precharge	(ft)	25.0
	(m)	7.6
Additional charge for each ft	(oz/ft)	0.32
	(g/ft)	30
Liquid side/ Gas side	(inch)	3/8" / 5/8"
	(mm)	φ9.52 / φ15.9
Max. pipe length	(ft)	164.0
	(m)	50.0
Max. difference in level	(ft)	82.0
	(m)	25.0
Connection method		(Flared)

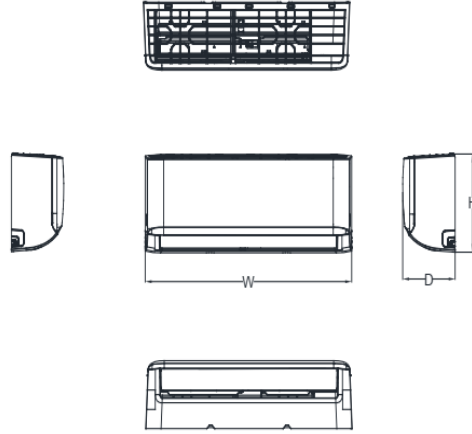
INDOOR UNIT DATA		
Indoor fan motor		
Type		Cross-Flow
Model		ZKFP-58-8-1-5
Qty		1
Input	(W)	58.0
RLA	(A)	-
LRA	(A)	---
Winding Resistance	(Ω)	---
Capacitor	(uF)	---
Speed(Hi/Mi/Lo)	(r/min)	1200/1050/950
Air flow & Noise level		
Indoor air flow (Hi/Med/Lo) (l)	(CFM)	701.76/535.88/380.00
Indoor noise level (Hi/Med/L)	[dB(A)]	49.5/43.5/39.5
Dehumidification		
	(Pint/H)	---
Indoor unit		
Dimension (WxDxH)	(inch)	49.57x11.14x14.25
	(mm)	1259x283x362
Packing(WxDxH)	(inch)	52.76x17.72x15.16
	(mm)	1340x450x385
Net/Gross weight	(lbs.)	42.99/55.56
	(kg)	19.5/25.2

OUTDOOR UNIT DATA		
Compressor		
Type		KTF250D22UMT
Model		ROTARY
Brand		GMCC
Capacity	(Btu/h)	27621,286
Input	(W)	2200
Rated current (RLA)	(A)	-
Refrigerant oil/oil charge	(ml)	-
Throttle		Capillary +EXV
Outdoor fan motor		
Model		ZKFN-120-8-2
Qty		1
Input	(W)	--
RLA	(A)	--
Speed	(r/min)	900/750
Air flow & Noise level		
Outdoor air flow (Max.)	(CFM)	2235,30
Outdoor noise level	[dB(A)]	61.5
Outdoor unit		
Dimension (WxDxH)	(inch)	37.24x16.14x31.89

Indoor(cooling/ heating)	(Deg. °F)	60~90 / 32~86
	(Deg. °C)	16~32 / 0~30
Outdoor(cooling/heating)	(Deg. °F)	5~122 / 5~75
	(Deg. °C)	-15~50 / -15~24
Application area	(sq.ft)	430.56~635.07
	(m2)	40~59

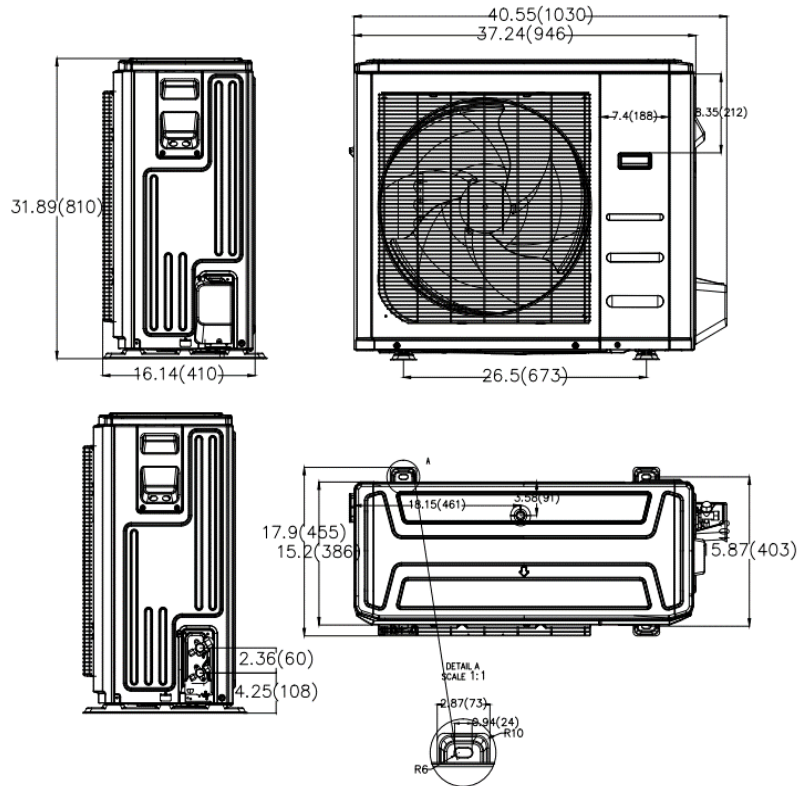
Packing (W×D×H)	(mm)	946x410x810
	(inch)	42.91x19.69x34.84
Net/ Gross weight	(mm)	1090x500x885
	(lbs.)	141.76/151.90
	(kg)	64.3/68.9

Indoor unit dimension



Capacity	Body Code	W(mm/inch)	D(mm/inch)	H(mm/inch)
6K-11K	A	729/28.7	200/7.87	292/11.5
8K-14K	B	802/31.57	200/7.87	295/11.61
12K-21K	C	971/38.23	228/8.98	321/12.64
18K-28K	D	1082/42.6	234/9.21	337/13.27
27K-36K	F	1259/49.57	283/11.14	362/14.25

Outdoor unit dimension





General Features

Wireless Remote with LCD Display

46F Heating

Sleep Mode

Silent Mode

Self Clean

Follow Me (optional)

Extended Performance Data

