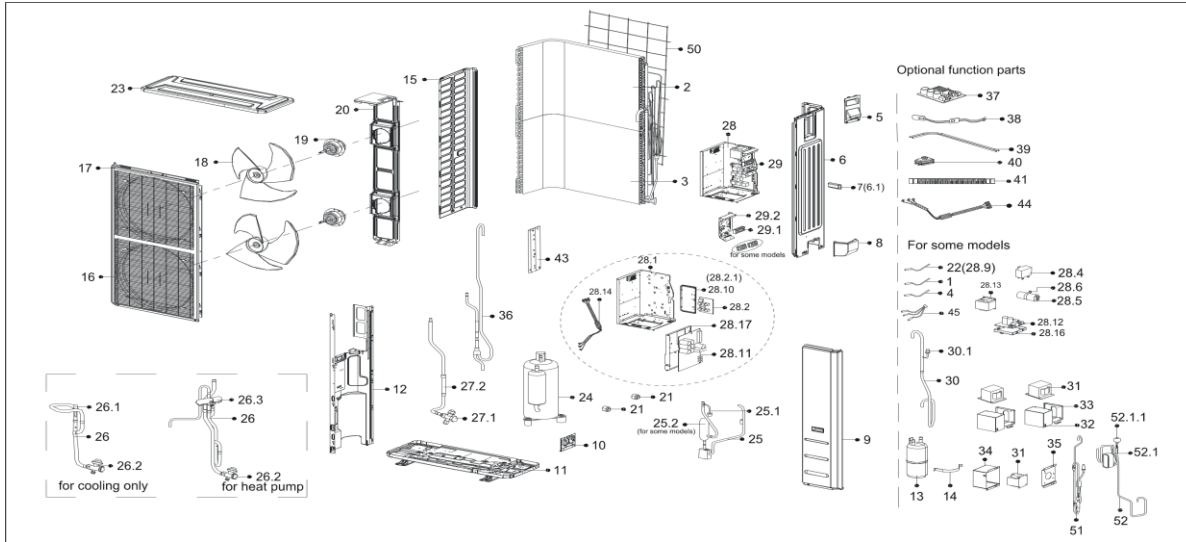


Exploded View

ComfortStar®

Model

CGS36CD(O)



EX ID	Spare Parts Code	Part Name(EN)	Qty.	Price	Remarks
1	12222000006665	Left side plate assembly of cabinet	1		
1.1	12100701000033	Small handle	1		
2	15822000008198	Condenser assembly	1		
4	12222000006664	Rear right clapboard assembly	1		
5	12222000011086	Big handle assembly	1		
6	12122200002695	Water collector	1		
7	12222500A00135	Front right clapboard assembly	1		
7.1	12100702000038	handle	1		
9	12222000004018	Chassis assembly	1		
10	12222000A01431	Front panel	1		
10.2	12222000016109	Front panel1	1		
11	12222000014845	Air outlet grille	1		
12	12100105000084	Axial flow fan	1		
13	11002015000247	Brushless DC Motor	1		
14	12222000005162	Supporter subassembly of fan motor	1		
15	15500508000315	Accumulator cylinder	1		
16	12222000012328	Partition board assembly	1		
18	122225000000587	Top cover assembly	1		
19	17222000037716	Electronic control box subassembly	1		
19.1	12122000025662	Cover of electronic control box	1		
19.2	17122000051104	Outdoor main control board subassembly	1		
20	17222000036685	Terminal board subassembly	1		
20.1	17400401000068	Terminal	1		
20.2	12222000012985	Electronic installing box subassembly	1		
20.2.1	12122000024381	U-Typed Support with Copper Pipe	1		
21	15422000014492	4-way valve assembly	1		
21.1	15500204000025	Gas valve	1		
21.2	15500216000361	4-way valve	1		
21.4	15122000021857	Suction pipe	1		
21.5	15122000011326	Discharge pipe	1		
22	15422000019472	Liquid valve assembly	1		
22.1	15500208000286	Liquid valve	1		
22.3	12222200002110	Valve plate	1		
22.4	15500210002108	Throttle valve	1		
25	12222000006604	Rear net	1		
26	111030200000559	DC Inverter Rotary Compressor	1		
31	15122000021854	Suction pipe assembly	1		
31.1	17400516000848	Pressure switch1	1		
32	15122000011324	Discharge pipe assembly	1		
32.1	17400516000851	Pressure switch2	1		
32.2	15500506000007	Muffler	1		
38	17402001000601	Crankcase electric heater	1		
39	17402002000466	Electric heating tube	1		
43	15122000026020	Radiator subassembly	1		
46	12122000016029	Cover of electronic control box1	1		
47	11201011000188	Combination sensor	1		
49	15111600A00018	Connecting pipe assembly	1		
50	15422000019032	Electronic expansion valve subassembly	1		
50.1	15500213000245	Electronic expansion valve	1		
99	17401203000751	Compressor wire subassembly	1		