

## Exploded View

# ComfortStar®

Model

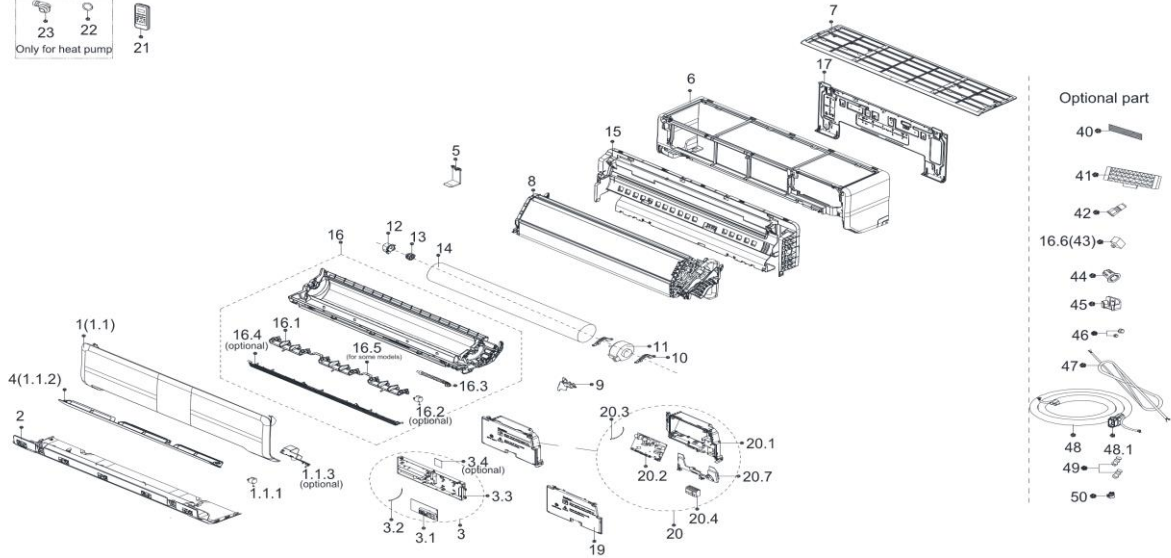
CHF18CD(I)

### Accessory part

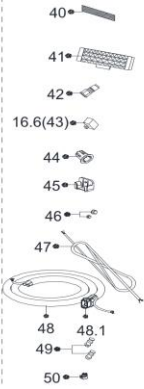


Only for heat pump

21



### Optional part



EX_ID	Spare Parts Code	Part Name(EN)	Qty.	Remark2	Remarks
1	12122000027561	Panel assembly1	1		
2	12122000027037	Panel assembly2	1		
3	17222000A59450	Display box subassembly	1		
3.1	17122000050213	Display board subassembly	1		
3.2	11201007003103	Room Temperature Sensor	1		
3.3	12122000026921	Display box	1		
5	12122000026621	Chassis support I	1		
6	12122000A85080	Panel frame assembly	1		
7	12122000027040	Filter filter subassembly	1		
8	15822000A18563	Evaporator assembly	1		
9	12122000027026	pipe clamp board	1		
10	12122000011994	Fixing board of fan motor	2		
11	11002015011867	Brushless DC Motor	1		
12	12122000000350	Bearing holder	1		
13	12622000000131	Bearing components	1		
14	12100102000131	Cross flow fan	1		
15	12122000027029	Chassis assembly(above)	1		
16	12122000027682	Chassis assembly(below)	1		
16.1	12122000026616	Horizontal louver1	6		
16.1	12122000026617	Horizontal louver2	6		
16.2	11002010001486	Stepper motor	1		
16.3	12100501000032	Drain hose1	1		
16.5	12122000027024	Connecting rod of louver	1		
17	12222000A06971	Installation plate subassembly	1		
19	12122000026601	Cover of electronic control box subassembly	1		
20	17222000033440	Electronic control box subassembly (Mid-and low-end)	1		
20.1	12122000026606	Electronic control box subassembly	1		
20.2	17122000051062	Main control board subassembly	1		
20.3	11201007003445	Pipe Temperature Sensor	1		
20.4	17400401000577	Wire joint	1		
20.7	12122000026605	Electrical Control Box holder	1		
21	17317000A63487	Remote controller	1		
22	12600701000039	seal ring	1		
23	12100509000061	Drain hose2	1		
40	12100204000685	Air freshening filter	1		
42	15500209000001	Check valve	1		
45	12122000029201	Bracket of remote Controller	1		
46	15500406000012	Copper nut1	1	A01=6.35mm(1/4in);B02=	
46	15500406000016	Copper nut2	1	A01=6.35mm(1/4in);B02=	