



<b>CPA-12B/CHF12CD(O)</b>	<b>12,000 BTU/H(208/230V)</b>	<b>Wall Mounted Heat Pump System</b>
Location: _____	Approval: _____	
Engineer: _____	Date: _____	
Submitted to: _____	Construction: _____	
Submitted by: _____	Unit #: _____	
Reference: _____	Drawing #: _____	

<b>Set Model</b>	
Indoor unit model	CPA-12B
Outdoor unit model	CHF12CD(O)
<b>Certified</b>	
AHRI	
UL	



SYSTEM PERFORMANCE DATA		
<b>Power supply</b>		
Normal Operational Voltage	(V, Ph, Hz)	208/230, 1, 60
Voltage Range	(V)	187-253
<b>Electrical</b>		
Minimum circuit ampacity	(A)	15.0
Max.fuse	(A)	15.0
Connection wiring	14AWG*4 Stranded, unshielded	
<b>Cooling</b>		
Rated Capacity	(Btu/h)	12000
Capacity Range	(Btu/h)	2250~14400
Power Input (Max)	(W)	923
Rated current	(A)	4.22
SEER	(Btu/W)	21.5
EER	(Btu/W)	13

<b>Heating at 47F</b>		
Rated Capacity	(Btu/h)	12000
Capacity Range	(Btu/h)	1800~16300
Power Input (Max)	(W)	1000
Rated current	(A)	4.58
HSPF4	(Btu/W)	11.5
HSPF5	(Btu/W)	9.5
COP	W/W	3.52

<b>Heating at 17F</b>		
Max Capacity	(Btu/h)	12900

REFRIGERANT PIPE DATA		
Design pressure	(PSIG)	550/340
Refrigerant Type	(Oz)	R410A/41.62
Refrigerant precharge	(ft)	25.0
	(m)	7.6
Additional charge for each ft	(oz/ft)	0.16
	(g/ft)	15
Liquid side/ Gas side	(inch)	1/4" / 1/2"
	(mm)	6.35/12.7
Max. pipe length	(ft)	82.0
	(m)	25.0
Max. difference in level	(ft)	32.8
	(m)	10.0
Connection method	(Flared)	

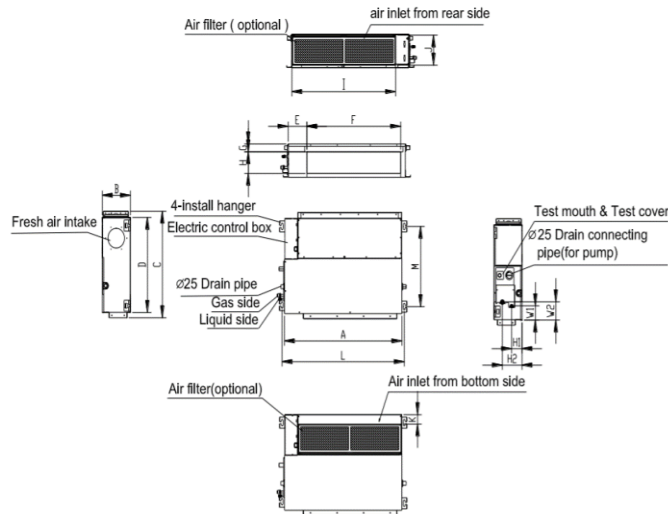
INDOOR UNIT DATA		
<b>Indoor fan motor</b>		
Type	Cross-Flow	
Model	ZKFN-55-8-22-1	
Qty	1	
Input	(W)	130.0
RLA	(A)	-
LRA	(A)	---
Winding Resistance	(Ω)	---
Capacitor	(uF)	---
Speed(Hi/Mi/Lo)	(r/min)	1170/1030/850
<b>Air flow &amp; Noise level</b>		
Indoor air flow (Hi/Med/Lo) (l)	(CFM)	352.94/282.35/176.47
Indoor noise level (Hi/Med/L)	[dB(A)]	40/31.5/26.5
<b>Dehumidification</b>		
	(Pint/H)	---
<b>Indoor unit</b>		
Dimension (WxDxH)	(inch)	27.56x19.92x7.87
	(mm)	700/506/200
Packing(WxDxH)	(inch)	33.86x21.26x11.22
	(mm)	860/540/285
Net/Gross weight	(lbs.)	39.24/48.5
	(kg)	17.7/21.9

OUTDOOR UNIT DATA		
<b>Compressor</b>		
Type	KTN110D42UFZ	
Model	DUAL ROTARY	
Brand	GMCC	
Capacity	(Btu/h)	11822.58
Input	(W)	885
Rated current (RLA)	(A)	-
Refrigerant oil/oil charge	(ml)	-
Throttle	Capillary +EXV	
<b>Outdoor fan motor</b>		
Model	ZKFN-34-10-1	
Qty	1	
Input	(W)	--
RLA	(A)	--
Speed	(r/min)	850/680/450
<b>Air flow &amp; Noise level</b>		
Outdoor air flow (Max.)	(CFM)	1323.50
Outdoor noise level	[dB(A)]	56
<b>Outdoor unit</b>		
Dimension (W×D×H)	(inch)	31.69x12.99x21.81

Indoor(cooling/ heating)	(Deg. °F)	63~90 / 32~86
	(Deg. °C)	17~32 / 0~30
Outdoor(cooling/heating)	(Deg. °F)	-22~122 / -22~75
	(Deg. °C)	-30~50 / -30 ~24
Application area	(sq.ft)	172.22~247.57
	(m2)	16~23

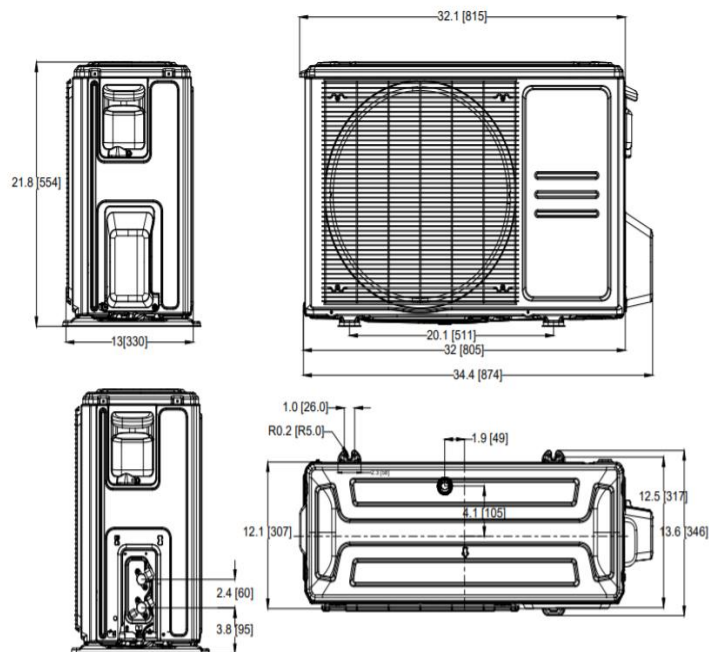
Packing (W×D×H)	(mm)	805x330x554
	(inch)	36.02x14.57x24.21
Net/ Gross weight	(mm)	915x370x615
	(lbs.)	73.63/79.37
	(kg)	33.4/36

Indoor unit dimension



Model (KBTu/h)	unit	A	B	C	D	E	F	G	H	I	J	K	L	M	H1	H2	W1	W2
9/12	mm	700	200	506	450	137	537	30	152	599	186	50	741	360	84	140	84	84
	inch	27.6	7.9	19.9	17.7	5.4	21.1	1.2	6.0	23.6	7.3	2.0	29.2	14.2	3.3	5.5	3.3	3.3
18	mm	880	210	674	600	140	706	50	136	782	190	40	920	508	78	148	88	112
	inch	34.6	8.3	26.5	23.6	5.5	27.8	2.0	5.4	30.8	7.5	1.6	36.2	20.0	3.1	5.8	3.5	4.4
24	mm	1100	249	774	700	140	926	50	175	1001	228	5	1140	598	80	150	130	155
	inch	43.3	9.8	30.5	27.6	5.5	36.5	2.0	6.9	39.4	9.0	0.2	44.9	23.5	3.1	5.9	5.1	6.1
36	mm	1360	249	774	700	140	1186	50	175	1261	228	5	1400	598	80	150	130	155
	inch	53.5	9.8	30.5	27.6	5.5	46.7	2.0	6.9	49.6	9.0	0.2	55.1	23.5	3.1	5.9	5.1	6.1
48	mm	1200	300	874	800	123	1044	50	227	1101	280	5	1240	697	80	150	185	210
	inch	47.2	11.8	34.4	31.5	4.8	41.1	2.0	8.9	43.3	11.0	0.2	48.8	27.4	3.1	5.9	7.3	8.3

Outdoor unit dimension





**General Features**

Wired controller  
Weekly-time wired controller(optional)  
Central controller  
Long distance Alarm and ON/OFF controller  
Build-in pump

**Extended Performance Data**

