



CPA-60/CZP60CD(O)	60,000 BTU/H(208/230V)	Wall Mounted Heat Pump System
Location: _____	Approval: _____	
Engineer: _____	Date: _____	
Submitted to: _____	Construction: _____	
Submitted by: _____	Unit #: _____	
Reference: _____	Drawing #: _____	

Set Code	#i/REF!
Indoor unit code	#j/REF!
Outdoor unit code	#k/REF!
Set Model	
Indoor unit model	CPA-60
Outdoor unit model	CZP60CD(O)
Certified	
AHRI	
CSA	



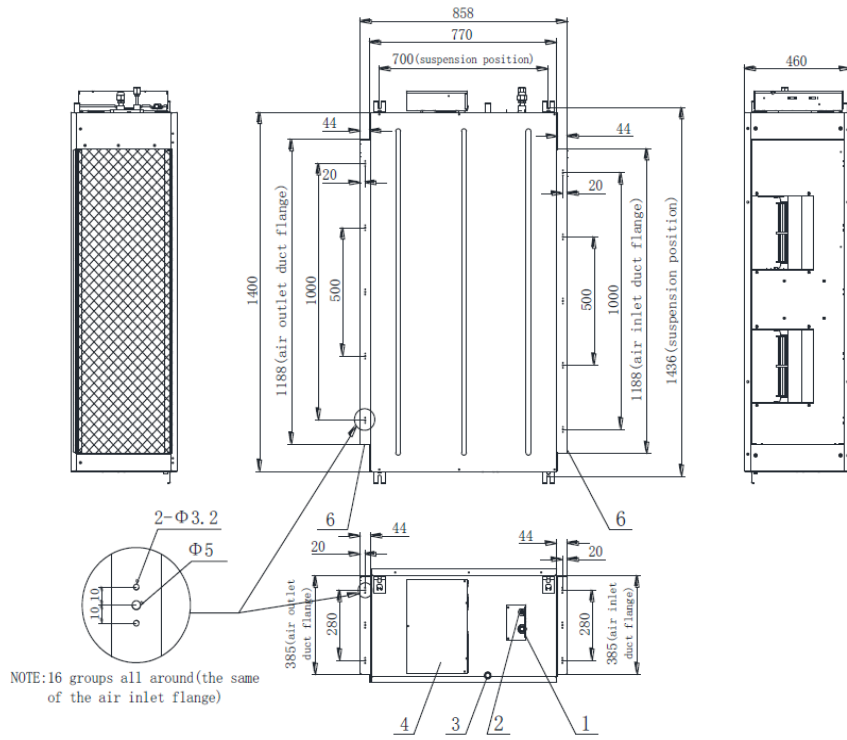
SYSTEM PERFORMANCE DATA			
Power supply			
Normal Operational Voltage	(V, Ph, Hz)		208/230, 1, 60
Voltage Range	(V)		187-253
Electrical			
Minimum circuit ampacity	(A)		36.0
Max.fuse	(A)		50.0
Connection wiring		14AWG*2 Stranded, shielded	
Cooling			
Rated Capacity	(Btu/h)		57000
Capacity Range	(Btu/h)		11000-57000
Power Input (Max)	(W)		5700
Rated current	(A)		25.0
SEER	(Btu/W)		18
EER	(Btu/W)		10
Heating at 47F			
Rated Capacity	(Btu/h)		60000
Capacity Range	(Btu/h)		12000-61000
Power Input (Max)	(W)		5048
Rated current	(A)		23.1
HSPF4	(Btu/W)		10
HSPF5	(Btu/W)		8
COP	W/W		3.48
Heating at 17F			
Max Capacity	(Btu/h)		37600

REFRIGERANT PIPE DATA			
Design pressure	(PSIG)		550/340
Refrigerant Type	(Oz)	R410A/163	
Refrigerant precharge	(ft)	25.0	
	(m)	7.6	
Additional charge for each ft	(oz/ft)	0.32	
	(g/ft)	30	
Liquid side/ Gas side	(inch)	3/8" / 5/8"	
	(mm)	9.52/15.9	
Max. pipe length	(ft)	213.0	
	(m)	65.0	
Max. difference in level	(ft)	98.0	
	(m)	30.0	
Connection method		(Flared)	
Indoor(cooling/ heating)	(Deg. °F)	32~86 / 818.06~1194.79	
	(Deg. °C)	0~30 / 76~111	
Outdoor(cooling/heating)	(Deg. °F)	5~122 / 5~75	
	(Deg. °C)	-15~50 / -15~30	
Application area	(sq.ft)	818.06~1194.79	
	(m2)	76~111	

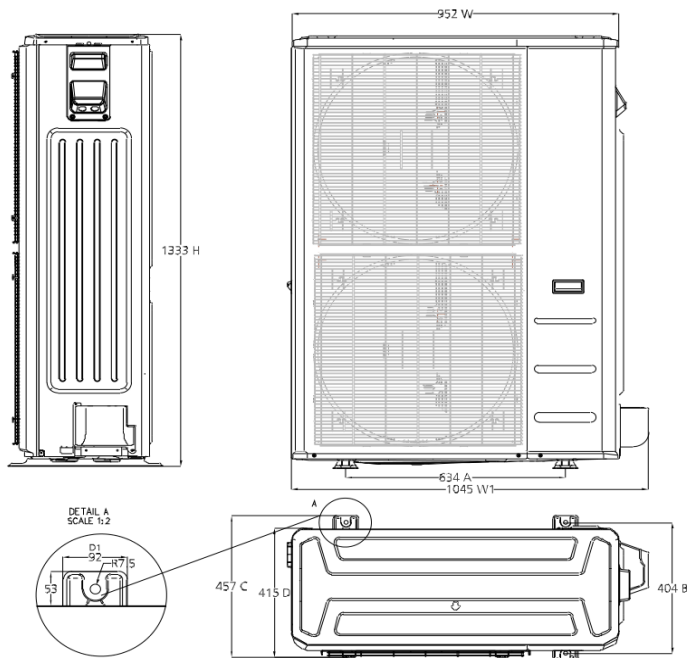
INDOOR UNIT DATA			
Indoor fan motor			
Type			Cross-Flow
Model			ZKFN-700-8-1
Qty			1
Input	(W)		420
RLA	(A)		3.65
LRA	(A)		---
Winding Resistance	(Ω)		---
Capacitor	(uF)		---
Speed(Hi/Mi/Lo)	(r/min)		1060/910/790
Air flow & Noise level			
Indoor air flow (Hi/Med/Lo) (No.)	(CFM)		2157/1710/1262
Indoor noise level (Hi/Med/Lo)	[dB(A)]		50.5/47/43
Dehumidification			
	(Pint/H)		---
Indoor unit			
Dimension (WxDxH)	(inch)	55.12/33.78/17.32	
	(mm)	1400/858/460	
Packing(WxDxH)	(inch)	63.19/35.83/19.88	
	(mm)	1605/910/535	
Net/Gross weight	(lbs.)	163.1/189.6	
	(kg)	74/86	

OUTDOOR UNIT DATA			
Compressor			
Type			KTQ420D1UMU
Model			ROTARY
Brand			GMCC
Capacity	(Btu/h)		44697
Input	(W)		3420
Rated current (RLA)	(A)		23.5
Refrigerant oil/oil charge	(ml)		INT01L-4639
Throttle			Capillary +EXV
Outdoor fan motor			
Model			ZKFN-85-8-22-5
Qty			2
Input	(W)		--
RLA	(A)		--
Speed	(r/min)		900/850/800/750
Air flow & Noise level			
Outdoor air flow (Max.)	(CFM)		4411.76
Outdoor noise level	[dB(A)]		65
Outdoor unit			
Dimension (WxDxH)	(inch)	37.48x16.34x52.48	
	(mm)	952x415x1333	
Packing (WxDxH)	(inch)	43.11x19.49x58.27	
	(mm)	1095x495x1480	
Net/ Gross weight	(lbs.)	225.09/254.41	
	(kg)	102.1/115.4	

Indoor unit dimension



Outdoor unit dimension



General Features

Extended Performance Data

