

SUBMITTAL DATA SHEET

ComfortStar®

CVH-18-2SH	
Location: _____ Engineer: _____ Submitted to: _____ Submitted by: _____ Reference: _____	Approval: _____ Date: _____ Construction: _____ Unit #: _____ Drawing #: _____

Outdoor unit code	#REF!
Outdoor unit model	CVH-18-2SH
Certified	UL

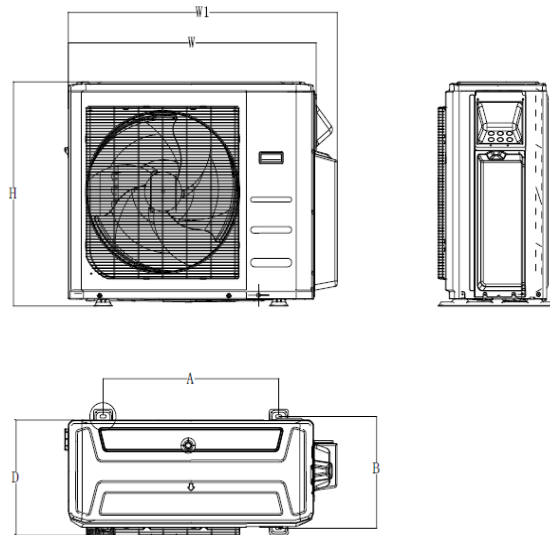


OUTDOOR UNIT DATA		
Power supply		
Normal Operational Voltage	(V, Ph, Hz)	208/230, 1, 60
Voltage Range	(V)	187-253
Electrical		
Minimum circuit ampacity	(A)	20,0
Max.fuse	(A)	25,0
Outdoor fan motor		
Model		ZKFN-120-8-2
Qty		1
Input	(W)	150.0
RLA	(A)	-
Speed	(r/min)	1050/900/850

REFRIGERANT PIPE DATA		
Design pressure	(PSIG)	550/340
Refrigerant Type	(Oz)	R410A/91.7
Refrigerant precharge	(ft)	49
	(m)	15,0
Additional charge for each ft- Φ6.35 (1/4") liquid pipe	(oz/ft)	0.161
Additional charge for each ft- Φ9.52 (3/8") liquid pipe	(oz/ft)	0.322
Liquid side/ Gas side	(inch)	2 x 1/4"/2 x 3/8"
	(mm)	2 x Φ6.35/2 x Φ9.52
Max. length for all rooms	(ft)	131
Max. length for one indoor unit	(ft)	82,0
Max. height difference between indoor and outdoor unit	(ft)	49
Max. height difference between indoor units	(ft)	33

OUTDOOR UNIT DATA		
Compressor		
Model		KTM240D43UKT
Type		ROTARY
Brand		GMCC
Capacity	(Btu/h)	24293,44
Input	(W)	1895
Rated current (RLA)	(A)	-
Refrigerant oil/oil charge	(ml)	VG74/620
Throttle		Capillary +EXV
Air flow & Noise level		
Outdoor air flow (Max.)	(CFM)	2129.41
Outdoor noise level	[dB(A)]	61
Outdoor unit		
Dimension (W×D×H)	(inch)	37.24x16.14x31.89
	(mm)	946x410x810
Packing (W×D×H)	(inch)	42.91x19.69x34.84
	(mm)	1090x500x885
Net/ Gross weight	(lbs.)	138.23/149.03
	(kg)	62.7/67.6
Outdoor(cooling/heating)	(Deg. °F)	-22~-122/ -22~86
	(Deg. °C)	-30~50/ -30~30

Outdoor unit dimension



Model	Unit	W	D	H	W1	A	B
M2OF-18HFN1-M	mm	845	363	702	923	540	350
	inch	33.3	14.3	27.6	36.0	21.3	13.8
M2OA-18HFN1-M	mm	890	342	673	990	663	354
	inch	35.04	13.46	26.50	38.98	26.10	13.94
M2OH-18HFN1-M M3OF-27HFN1-M M3OH-27HFN1-M M2OI-18HFN1-M M3OI-27HFN1-M M3OI-28HFN1-M	mm	946	410	810	1034	673	403
	inch	37.2	16.5	31.9	40.6	26.5	15.9
M4OF-36HFN1-M M4OG-36HFN1-M	mm	946	410	810	1034	673	403
	inch	37.2	16.5	31.9	40.6	26.5	15.9

24V INTERFACE KIT

