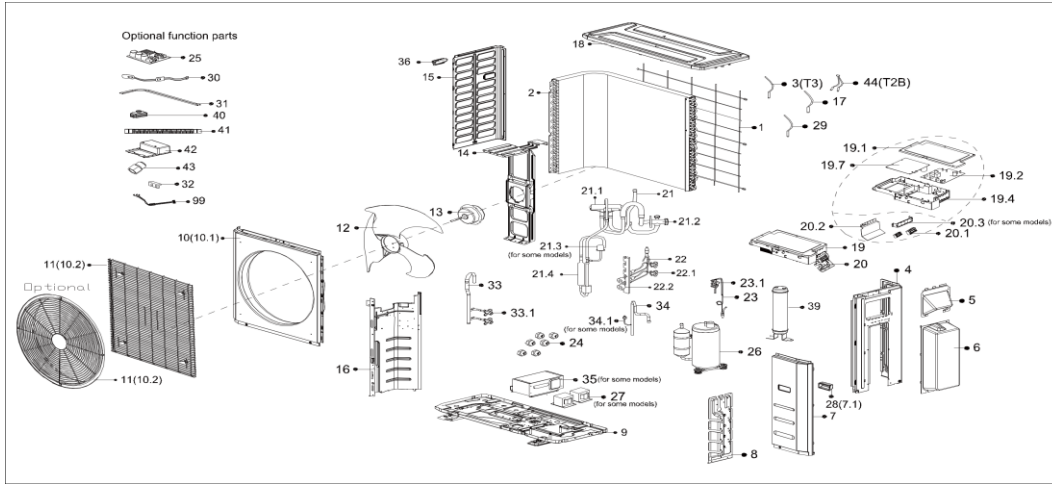


Exploded View

ComfortStar®

Model

CVH-18-2SH



EX_ID	Spare Parts Code	Part Name(EN)	Qty.	Price	Remarks
1	1222200006604	Rear net	1		
2	1582200008203	Condenser assembly	1		
3	11201007003442	Pipe Temperature Sensor	1		
4	12222000012226	Rear right clapboard assembly	1		
5	12222000011085	Big handle assembly	1		
6	12122300000110	Water collector	1		
7	12222500A00135	Front right clapboard assembly	1		
7.1	12100702000038	handle	1		
8	12222000005282	Valve plate	1		
9	12222000005267	Chassis assembly	1		
10	12222000A01431	Front panel1	1		
10.1	12222000016109	Front panel2	1		
11	12222000014845	Air outlet grille	1		
12	12100105000084	Axial flow fan	1		
13	11002015000247	Brushless DC Motor	1		
14	12222500001152	Supporter subassembly of fan motor	1		
15	12222000006665	Left side plate assembly of cabinet	1		
15.1	12100701000033	Small handle	1		
16	12222200001156	Partition board assembly	1		
17	11201007003448	Room Temperature Sensor	1		
18	12222500000587	Top cover assembly	1		
19	17222300002651	Electronic control box subassembly	1		
19.1	12122000006905	Cover of electronic control box	1		
19.2	17122300003985	Main control board subassembly	1		
19.4	12122300000170	Electronic installing box	1		
19.7	17122000052022	Inverter module subassembly	1		
20	17222000027833	Terminal board subassembly	1		
20.1	17400401000084	Terminal	1		
20.2	12222300000033	Terminal board	1		
21	15422300000684	4-way Valve Assembly	1		
21.1	15500216000361	4-way valve	1		
21.2	15500204000049	Gas valve1	1		
21.3	17400516000851	Pressure switch	1		
21.4	15122000028137	Muffler subassembly	1		
22	15422000A01491	Liquid valve Assembly1	1		
22.1	15500208000028	Liquid valve1	2		
22.2	15500213000046	Electronic expansion valve subassembly	2		
23	15422000016292	Liquid valve assembly2	1		
23.1	15500208000047	Liquid valve2	2		
24	15500406000010	Copper nut1	2		
24	15500406000012	Copper nut2	2		
24	15500406000016	Copper nut3	2		
26	11103020006879	DC Inverter rotary compressor	1		
27	17400306000058	Reactor	1		
29	11201007003124	Discharge Temperature Sensor	1		
30	17402002000466	Electric heating tube	1		
31	17402001000601	Crankcase electric heater	1		
33	15422000A01487	Gas valve assembly	1		
33.1	15500204000021	Gas valve2	2		
34	15122000029382	Suction pipe assembly	1		
34.1	17400516000848	Pressure switch	1		
39	15500508000315	Accumulator cylinder	1		
44	11201007000259	Pipe Temperature Sensor	1		
99	17401203000939	Compressor wire subassembly	1		