


SUBMITTAL DATA SHEET

ComfortStar®

CVH-36-4SH	
Location: _____ Engineer: _____ Submitted to: _____ Submitted by: _____ Reference: _____	Approval: _____ Date: _____ Construction: _____ Unit #: _____ Drawing #: _____

Outdoor unit code	#REF!
Outdoor unit model	CVH-36-4SH
Certified	UL 

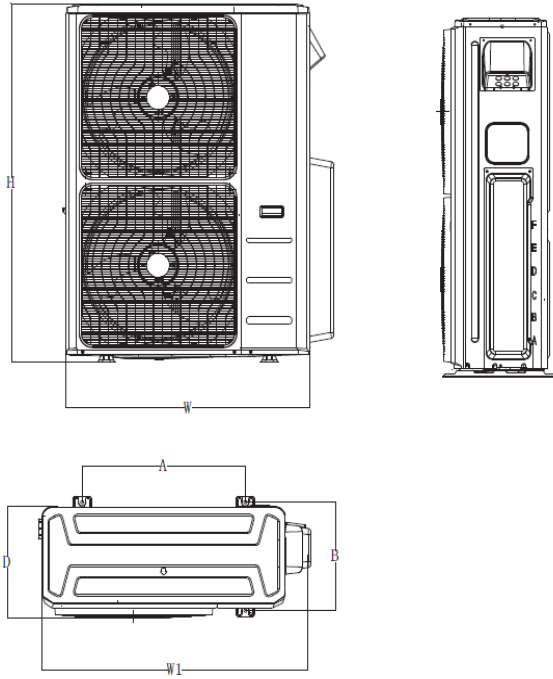


OUTDOOR UNIT DATA		
Power supply		
Normal Operational Voltage	(V, Ph, Hz)	208/230, 1, 60
Voltage Range	(V)	187-253
Electrical		
Minimum circuit ampacity	(A)	40,0
Max.fuse	(A)	60,0
Outdoor fan motor		
Model		ZKFN-85-8-22-5
Qty		2
Input	(W)	126,0
RLA	(A)	1.0 + 1.0
Speed	(r/min)	800/700/600

REFRIGERANT PIPE DATA		
Design pressure	(PSIG)	550/340
Refrigerant Type	(Oz)	R410A/162
Refrigerant precharge	(ft)	98
	(m)	30,0
Additional charge for each ft- Φ6.35 (1/4") liquid pipe	(oz/ft)	0.161
Additional charge for each ft- Φ9.52 (3/8") liquid pipe	(oz/ft)	0.322
Liquid side/ Gas side	(inch)	4 x 1/4"/3 x 3/8" + 1 x 1/2"
	(mm)	Φ6.35/3 x Φ9.52 + 1 x Φ12.7
Max. length for all rooms	(ft)	262
Max. length for one indoor unit	(ft)	115
Max. height difference between indoor and outdoor unit	(ft)	49
Max. height difference between indoor units	(ft)	33

OUTDOOR UNIT DATA		
Compressor		
Model		ATQ360D1UMU
Type		ROTARY
Brand		GMCC
Capacity	(Btu/h)	38214
Input	(W)	3040
Rated current (RLA)	(A)	-
Refrigerant oil/oil charge	(ml)	VG74/1400
Throttle		Capillary +EXV
Air flow & Noise level		
Outdoor air flow (Max.)	(CFM)	4500.00
Outdoor noise level	[dB(A)]	63
Outdoor unit		
Dimension (W×D×H)	(inch)	37.48x16.34x52.48
	(mm)	952x415x1333
Packing (W×D×H)	(inch)	43.11x19.49x58.27
	(mm)	1095x495x1480
Net/ Gross weight	(lbs.)	223.11/253.97
	(kg)	101.2/115.2
Outdoor(cooling/heating)	(Deg. °F)	-22~-122/ -22~86
	(Deg. °C)	-30~50/ -30~30

Outdoor unit dimension



Unit	W	D	H	W1	A	B
mm	952	415	1333	1060	634	404
inch	37.5	16.3	52.5	41.7	25.0	15.9

24V INTERFACE KIT

