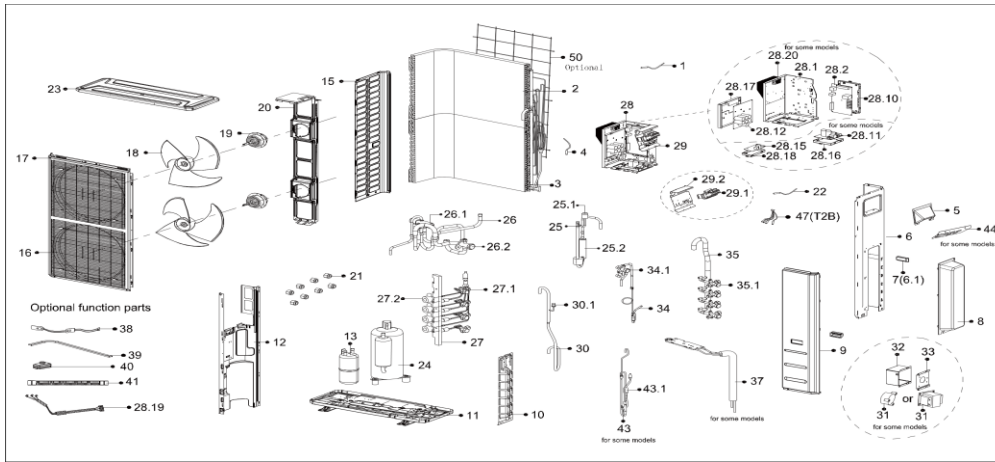


Exploded View

ComfortStar®

Model

CVH-36-4SH



EX_ID	Spare Parts Code	Part Name(EN)	Qty.	Price	Remarks
1	11201007003448	Room Temperature Sensor	1		
2	15822000008539	Condenser assembly1	1		
3	15822000008537	Condenser assembly2	1		
4	11201007003441	Pipe Temperature Sensor	1		
5	12222300000039	Big Handle Assembly	1		
6	12222000012227	Rear right clapboard assembly	1		
6.1	12100702000038	handle	1		
8	12122000014341	Water collector	1		
9	12222000006287	Front right clapboard assembly	1		
10	12222000006744	Valve plate	1		
11	12222000006290	Chassis assembly	1		
12	12222000005733	Partition board assembly	1		
13	15500580000009	Liquid-storage tank	1		
15	1222200002363	Left side plate assembly of cabinet	1		
16	12222000014845	Air outlet grille	2		
17	12222000007564	Front panel	2		
18	12100105000022	Axial flow fan	2		
19	11002015009825	Brushless DC Motor	2		
20	12222000006288	Supporter subassembly of fan motor	1		
21	15500406000010	Copper nut1	2		
21	15500406000012	Copper nut2	2		
21	15500406000016	Copper nut3	4		
22	11201007003124	Discharge Temperature Sensor	1		
23	1222200002359	Top cover assembly	1		
24	11103020000619	DC Inverter Rotary Compressor	1		
25	15122000026303	Discharge pipe assembly	1		
25.1	17400516000851	Pressure switch1	1		
25.2	15500506000002	Muffler	1		
26	15422000017697	4-way valve assembly	1		
26.1	15500216000681	4-way valve	1		
26.2	15500204000049	Gas valve1	1		
27	15422000021259	Liquid valve Assembly1	1		
27.1	15500208000028	Liquid valve1	4		
27.2	15500213000265	Electronic expansion valve body	4		
28	17222000037759	Electronic control box subassembly	1		
28.1	12222000012372	Installation plate of electric parts subassembly	1		
28.2	17122000055773	Outdoor main control board subassembly	1		
28.10	12122000014342	Electronic installing box1	1		
28.12	17122000055772	Inverter module subassembly	1		
28.17	12122000020943	Electronic installing box2	1		
28.19	174012030000936	Compressor wire subassembly	1		
29	17222000037760	Terminal board subassembly	1		
29.1	17400401000135	Terminal	2		
29.1	17400401003456	Wire joint	1		
29.2	12222300000729	Terminal installation subassembly	1		
30	15122000013597	Suction pipe assembly	1		
30.1	17400516000848	Pressure switch2	1		
34	15422000017696	Liquid valve assembly2	1		
34.1	15500208000047	Liquid valve2	1		
35	15422000A01489	Gas valve assembly	1		
35.1	15500204000021	Gas valve2	2		
35.1	15500204000058	Gas valve3	2		
37	15122000029642	Radiator subassembly	1		
38	17402001000802	Crankcase electric heating strip	1		
39	17402002000466	Electric heating tube	1		
43	15422000021258	Electronic expansion valve subassembly	1		
43.1	15500213001405	Electronic expansion valve body	1		
44	12222000013398	Waterproof Board	1		
47	11201007000007	Pipe Temperature Sensor	1		
50	12222000007944	Rear net	1		