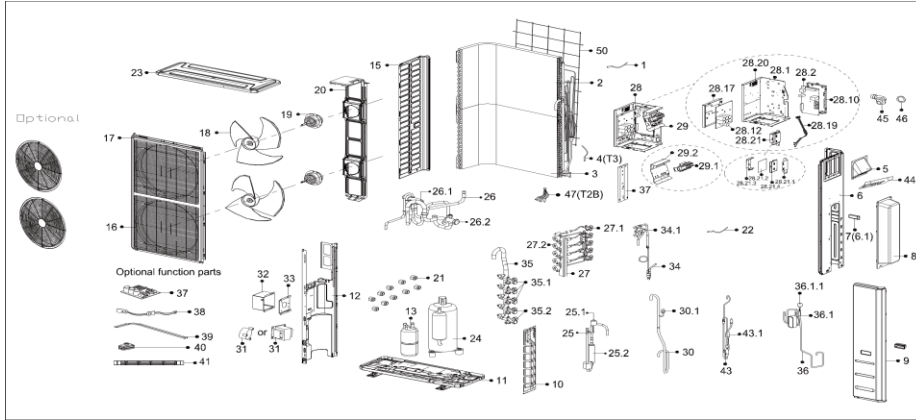


Exploded View

ComfortStar®

Model

CVH-48-55H



EX_ID	Spare Parts Code	Part Name(EN)	Qty.	Price	Remarks
1	11201007003448	Room Temperature Sensor	1		
2	16822000008305	Condenser Assembly1	1		
3	16822000008314	Condenser Assembly2	1		
4	11201007003441	Pipe Temperature Sensor	1		
5	12223000000039	Big Handle Assembly	1		
6	12222000012227	Rear right clapboard assembly	1		
6.1	12100702000038	handle	1		
8	12122000014341	Water collector	1		
9	12222000006287	Front right clapboard assembly	1		
10	12222000006744	Valve plate	1		
11	12222000006290	Chassis assembly	1		
12	12222000005733	Partition board assembly	1		
13	15500508000009	Liquid-storage tank	1		
15	12222000002363	Left side plate assembly of cabinet	1		
16	12222000014845	Air outlet grille	2		
17	12222000007564	Front panel	1		
18	12100105000022	Axial flow fan	2		
19	11002015009825	Brushless DC Motor	2		
20	12222000006288	Supporter subassembly of fan motor	1		
21	15500406000010	Copper nut1	3		
21	15500406000012	Copper nut2	5		
21	15500406000016	Copper nut3	5		
22	11201007003124	Discharge Temperature Sensor	1		
23	12222000002359	Top cover assembly	1		
24	11103020006279	DC Inverter rotary compressor	1		
25	151220000026303	Discharge pipe assembly	1		
25.1	17400516000851	Pressure switch	1		
25.2	15500506000002	Muffler	1		
26	15422000017697	4-way valve assembly	1		
26.1	15500216000581	4-way valve	1		
26.2	15500204000049	Gas valve	1		
27	15422000017598	Liquid valve Assembly	1		
27.1	15500208000028	Liquid valve	5		
27.2	15500213000046	Electronic expansion valve subassembly	5		
28	17222000031176	Electronic control box subassembly	1		
28.1	12222000012372	Installation plate of electric parts subassembly	1		
28.2	17122000048168	Outdoor main control board subassembly	1		
28.10	12122000014342	Electronic installing box1	1		
28.12	17122000048024	Inverter module subassembly	1		
28.17	12122000020943	Electronic installing box2	1		
28.19	17401203017294	Compressor wire subassembly	1		
28.21	17222000002299	Middle connection board subassembly	1		
28.21.1	12122000014222	Cover of electronic control box	1		
28.21.2	17122000048165	Inverter control board subassembly	1		
28.21.3	12222000013105	Support of electronic control box	1		
28.21.4	12122000014221	Electronic installing box3	1		
29	17222000031177	Terminal board subassembly	1		
29.1	17400401000135	Terminal1	1		
29.1	17400401003456	Wire joint	1		
29.1	17400401000084	Terminal2	1		
29.2	12222000007029	Terminal installation subassembly	1		
30	15122000013597	Suction pipe assembly	1		
30.1	17400516000848	Pressure switch	1		
34	15422000017696	Liquid valve assembly	1		
34.1	15500208000047	Liquid valve	1		
35	15422000007215	Gas valve assembly	1		
35.1	15500204000021	Gas valve	3		
35.2	15500204000058	Gas valve	2		
36	15700101000076	Plate heat exchanger subassembly	1		
36.1	15422000017593	Electronic expansion valve subassembly	1		
36.1.1	15500213000865	Electronic expansive valve	1		
37	15122000026162	Radiator subassembly	1		
38	17402001000602	Crankcase electric heating strip	1		
39	17402002000466	Electric heating tube	1		
43	15422000017595	Electronic expansion valve subassembly	1		
43.1	15500213000265	Electronic expansion valve body	1		
44	12222000013398	Waterproof Board	1		
47	11201007000142	Pipe Temperature Sensor	1		
50	12222000007944	Rear net	1		