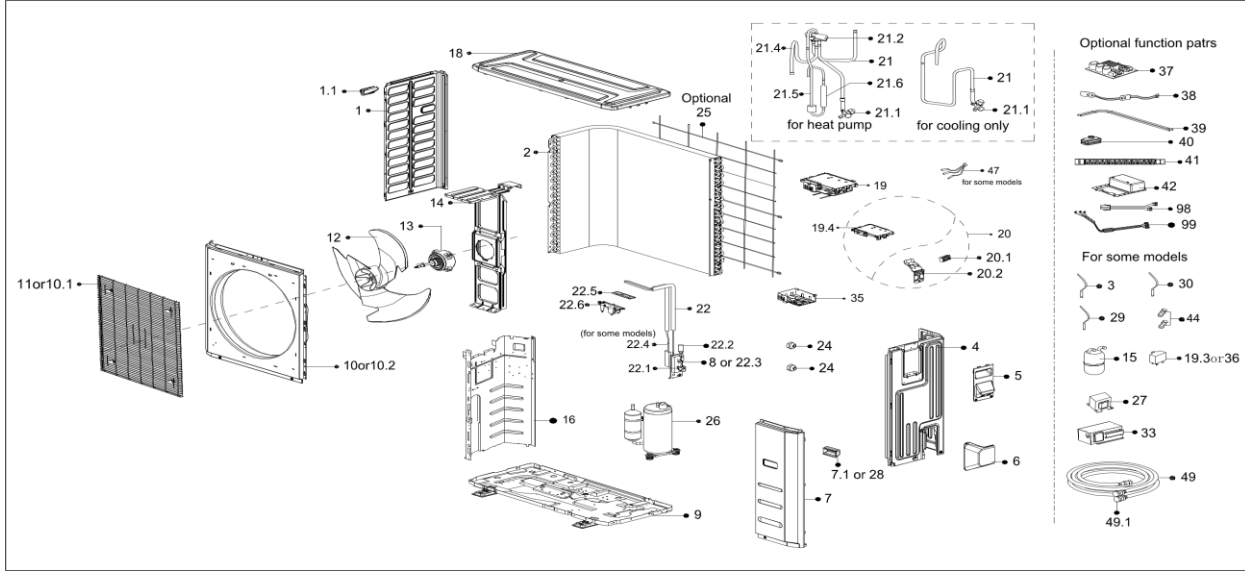


### Exploded View

# ComfortStar®

客户型号(Customer model): CZP24CD(O)



EX_ID	Spare Parts Code	Part Name(EN)	Qty.	Price	Remarks
1	1222200006665	Left side plate assembly of cabinet	1		
1.1	12100701000033	Small handle	1		
2	15822000011928	Condenser Assembly	1		
4	12222000006664	Rear right clapboard assembly	1		
5	12222000011086	Big handle assembly	1		
6	12122200002695	Water collector	1		
7	12222500A00135	Front right clapboard assembly	1		
7.1	12100702000038	handle	1		
9	12222000004018	Chassis assembly	1		
10	12222000A01431	Front panel	1		
10.2	12222000016109	Front panel1	1		
11	12222000014845	Air outlet grille	1		
12	12100105000084	Axial flow fan	1		
13	11002015000247	Brushless DC Motor	1		
14	12222000005162	Supporter subassembly of fan motor	1		
16	12222000005425	Partition board assembly	1		
18	12222500000587	Top cover assembly	1		
19	17222000033620	Electronic control box subassembly	1		
19.4	12122000008999	Electronic installing box	1		
20	17222000028531	Terminal board subassembly	1		
20.1	17400401000068	Terminal	1		
20.2	12222000005426	Support of electronic control box	1		
21	15422000018614	4-way valve assembly	1		
21.1	15500204000025	Gas valve	1		
21.2	15500216000361	4-way valve	1		
21.4	15122000027194	Suction pipe	1		
21.5	15122000025058	Discharge pipe	1		
21.6	15500506000007	Muffler	1		
22	15422000016252	Liquid valve assembly	1		
22.1	15500208000286	Liquid valve	1		
22.2	15500213000265	Electronic expansion valve body	1		
22.3	122222000002110	Valve plate	1		
22.4	15500210003128	Throttle valve	1		
22.5	11203803001176	Radiator	1		
22.6	12122000011478	U-Typed Support with Copper Pipe	1		
24	15500406000003	Copper nut	1		
24	15500406000010	Copper nut1	1		
25	12222000006604	Rear net	1		
26	11103020006879	DC Inverter rotary compressor	1		
35	12222200002695	Electronic installing box subassembly	1		
38	17402001000601	Crankcase electric heater	1		
39	17402002000466	Electric heating tube	1		
47	11201011000188	Combination sensor	1		
99	17401203000751	Compressor wire subassembly	1		