

SUBMITTAL DATA SHEET



<b>FPA-36DU/CHF36CD(O)</b>	<b>36,000 BTU/H(208/230V)</b>	<b>Wall Mounted Heat Pump System</b>
Location: _____	Approval: _____	Date: _____
Engineer: _____	Construction: _____	Unit #: _____
Submitted to: _____	Submitted by: _____	Drawing #: _____
Reference: _____		

**Set Model**  
 Indoor unit model FPA-36DU  
 Outdoor unit model CHF36CD(O)

**Certified**

AHRI

CSA



**SYSTEM PERFORMANCE DATA**

<b>Power supply</b>		
Normal Operational Voltage	(V, Ph, Hz)	208/230, 1, 60
Voltage Range	(V)	187-253
<b>Electrical</b>		
Minimum circuit ampacity	(A)	41.0
Max.fuse	(A)	50.0
Connection wiring		14AWG*2 Stranded, shielded
<b>Cooling</b>		
Rated Capacity	(Btu/h)	36000
Capacity Range	(Btu/h)	7774-42165
Power Input (Max)	(W)	4200
Rated current	(A)	17.8
SEER	(Btu/W)	17.5
EER	(Btu/W)	8.6

<b>Heating at 47F</b>		
Rated Capacity	(Btu/h)	39000
Capacity Range	(Btu/h)	11501-45750
Power Input (Max)	(W)	4250
Rated current	(A)	19
HSPF4	(Btu/W)	10
HSPF5	(Btu/W)	8.5
COP	WW	2.69

<b>Heating at 17F</b>		
Max Capacity	(Btu/h)	25000

**REFRIGERANT PIPE DATA**

Design pressure	(PSIG)	550/340
Refrigerant Type	(Oz)	R410A/148
Refrigerant precharge	(ft)	25.0
	(m)	7.6
Additional charge for each ft	(oz/ft)	0.32
	(g/ft)	30
Liquid side/ Gas side	(inch)	Optional
	(mm)	Optional
Max. pipe length	(ft)	213.0
	(m)	65.0
Max. difference in level	(ft)	98.0
	(m)	30.0
Connection method		(Flared)
Indoor(cooling/ heating)	(Deg. °F)	/ No
	(Deg. °C)	92/188/213 / Yes
Outdoor(cooling/heating)	(Deg. °F)	-22~-122 / -22~-75
	(Deg. °C)	-30~-50 / -30~-24
Application area	(sq.ft)	516.67~753.47
	(m2)	48~70

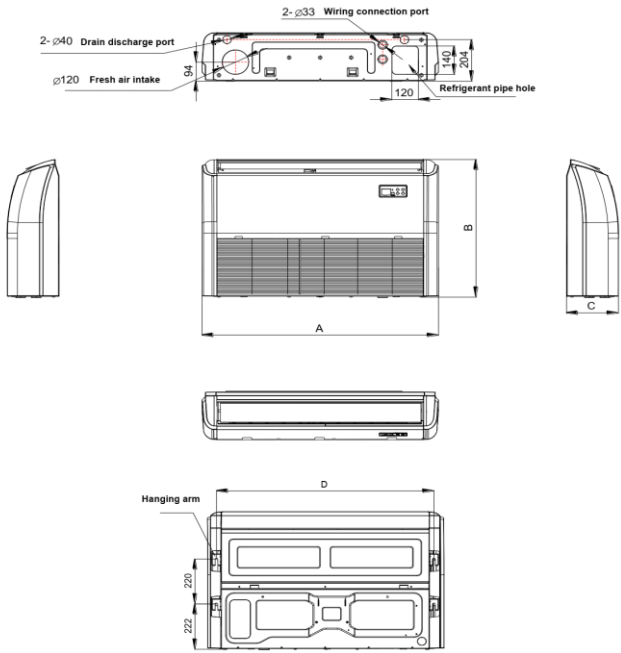
**INDOOR UNIT DATA**

<b>Indoor fan motor</b>		
Type		Cross-Flow
Model		ZKFN-115-8-1
Qty		1
Input	(W)	130.0
RLA	(A)	-
LRA	(A)	---
Winding Resistance	(Ω)	---
Capacitor	(uF)	---
Speed(Hi/Mi/Lo)	(r/min)	1300/1150/800
<b>Air flow &amp; Noise level</b>		
Indoor air flow (Hi/Med/Lo) (No)	(CFM)	1036.47/917.06/637.65
Indoor noise level (Hi/Med/Lo)	[dB(A)]	51.5/48.0/40.5
Dehumidification	(Pint/H)	---
<b>Indoor unit</b>		
Dimension (WxDxH)	(inch)	50.59x26.57x9.25
	(mm)	1285x675x235
Packing(WxDxH)	(inch)	53.54x29.72x12.32
	(mm)	1360x755x318
Net/Gross weight	(lbs.)	69.00/81.57
	(kg)	31.3/37

**OUTDOOR UNIT DATA**

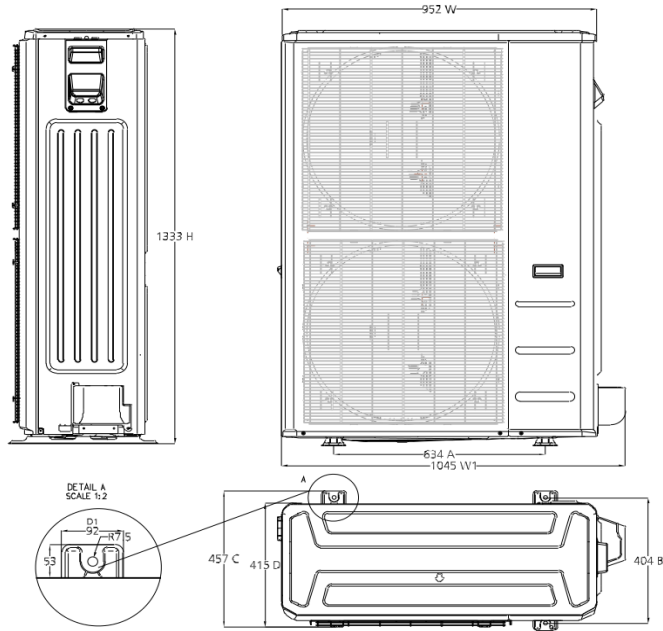
<b>Compressor</b>		
Type		EAPQ420D1UMUA
Model		ROTARY
Brand		GMCC
Capacity	(Btu/h)	44015
Input	(W)	3565
Rated current (RLA)	(A)	-
Refrigerant oil/oil charge	(ml)	INT01L-4639
Throttle		Capillary +EXV
<b>Outdoor fan motor</b>		
Model		ZKFN-85-8-22-5
Qty		2
Input	(W)	--
RLA	(A)	--
Speed	(r/min)	900/850/800/750
<b>Air flow &amp; Noise level</b>		
Outdoor air flow (Max.)	(CFM)	4500.00
Outdoor noise level	[dB(A)]	63.0
<b>Outdoor unit</b>		
Dimension (WxDxH)	(inch)	37.48x16.34x52.48
	(mm)	952x415x1333
Packing (WxDxH)	(inch)	43.11x19.49x58.27
	(mm)	1095x495x1480
Net/ Gross weight	(lbs.)	220.24/248.02
	(kg)	99.9/112.5

Indoor unit dimension



Capacity (Btu/h)	Unit	A	B	C	D
18K / 24K	mm	1068	675	235	983
	inch	42.05	26.57	9.25	38.70
36K	mm	1285	675	235	1200
	inch	50.59	26.57	9.25	47.24
48K/60K	mm	1650	675	235	1565
	inch	64.96	26.57	9.25	61.61

Outdoor unit dimension



**General Features**

Wired controller(optional)

Weekly-time wired controller(optional)

Central controller

Long distance Alarm and ON/OFF controller(optional)

Build-in pump(optional)

3D airflow

**Extended Performance Data**

