



<b>TIP24/CHF24CD(O)</b>	<b>24,000 BTU/H(208/230V)</b>	<b>Wall Mounted Heat Pump System</b>
Location: _____	Approval: _____	
Engineer: _____	Date: _____	
Submitted to: _____	Construction: _____	
Submitted by: _____	Unit #: _____	
Reference: _____	Drawing #: _____	

**Set Model**  
 Indoor unit model TIP24  
 Outdoor unit model CHF24CD(O)

**Certified**  
 AHRI   
 UL 



SYSTEM PERFORMANCE DATA		
<b>Power supply</b>		
Normal Operational Voltage	(V, Ph, Hz)	208/230, 1, 60
Voltage Range	(V)	187-253
<b>Electrical</b>		
Minimum circuit ampacity	(A)	25,0
Max.fuse	(A)	35,0
Connection wiring		14*4 AWG
<b>Cooling</b>		
Rated Capacity	(Btu/h)	24000
Capacity Range	(Btu/h)	8000-25000
Power Input (Max)	(W)	2182
Rated current	(A)	8.5
SEER	(Btu/W)	20.2
EER	(Btu/W)	11
<b>Heating at 47F</b>		
Rated Capacity	(Btu/h)	25000
Capacity Range	(Btu/h)	111840-27000
Power Input (Max)	(W)	2093
Rated current	(A)	9.8
HSPF4	(Btu/W)	11.6
HSPF5	(Btu/W)	9
COP	w/w	3.50
<b>Heating at 17F</b>		
Max Capacity	(Btu/h)	24100

REFRIGERANT PIPE DATA		
Design pressure	(PSIG)	550/340
Refrigerant Type	(Oz)	R410A/91.7
Refrigerant precharge	(ft)	25,0
	(m)	7,6
Additional charge for each ft	(oz/ft)	0.32
	(g/ft)	30
Liquid side/ Gas side	(inch)	3/8" / 5/8"
	(mm)	9.52/15.9
Max. pipe length	(ft)	164,0
	(m)	50,0
Max. difference in level	(ft)	82,0
	(m)	25,0
Connection method		(Flared)

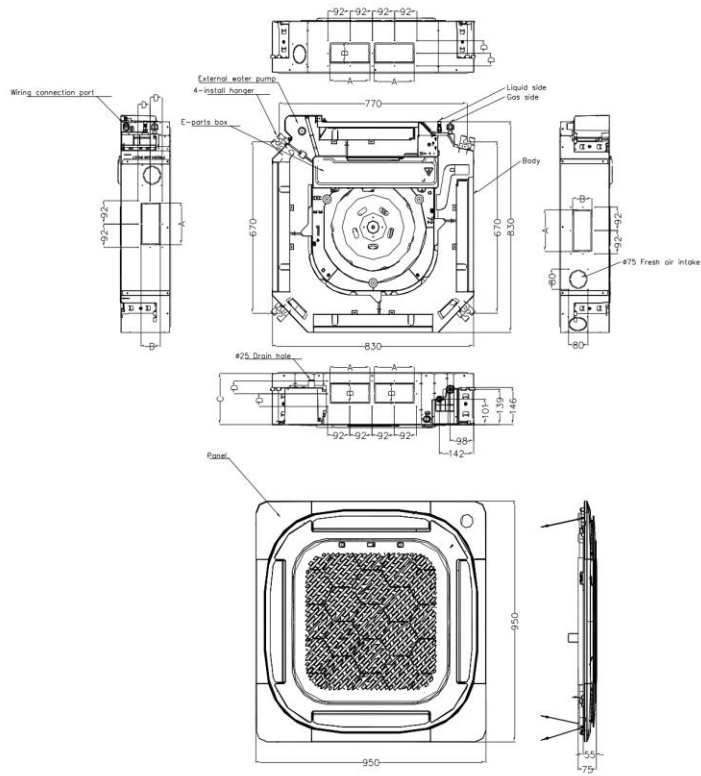
INDOOR UNIT DATA		
<b>Indoor fan motor</b>		
Type		Cross-Flow
Model		ZKFN-45-8-1
Qty		1
Input	(W)	72
RLA	(A)	-
LRA	(A)	---
Winding Resistance	(Ω)	---
Capacitor	(uF)	---
Speed(Hi/Mi/Lo)	(r/min)	680/624/568/512
<b>Air flow &amp; Noise level</b>		
Indoor air flow (Hi/Med/Lo) (l	(CFM)	705.88/635.29/547.06
Indoor noise level (Hi/Med/L	[dB(A)]	48/45.5/43
<b>Dehumidification</b>		
	(Pint/H)	---
<b>Indoor unit</b>		
Dimension (WxDxH)	(inch)	32.68x32.68x8.07
	(mm)	830x830x205
Packing(WxDxH)	(inch)	35.83x35.83x9.84
	(mm)	910x910x250
Net/Gross weight	(lbs.)	47.18/55.34
	(kg)	21.4/25.1

OUTDOOR UNIT DATA		
<b>Compressor</b>		
Type		KTM240D43UKT
Model		DUAL ROTARY
Brand		GMCC
Capacity	(Btu/h)	25932,27641
Input	(W)	2045
Rated current (RLA)	(A)	-
Refrigerant oil/oil charge	(ml)	-
Throttle		Capillary +EXV
<b>Outdoor fan motor</b>		
Model		ZKFN-120-8-2
Qty		1
Input	(W)	--
RLA	(A)	--
Speed	(r/min)	1150/1050/900/850
<b>Air flow &amp; Noise level</b>		
Outdoor air flow (Max.)	(CFM)	2235,30
Outdoor noise level	[dB(A)]	62
<b>Outdoor unit</b>		
Dimension (W×D×H)	(inch)	37.24x16.14x31.89

Indoor(cooling/ heating)	(Deg. °F)	60~90 / 32~86
	(Deg. °C)	16~32 / 0~30
Outdoor(cooling/heating)	(Deg. °F)	-22~122 / -22~75
	(Deg. °C)	-30~50 / -30 ~ 24
Application area	(sq.ft)	344.44~505.90
	(m2)	32~47

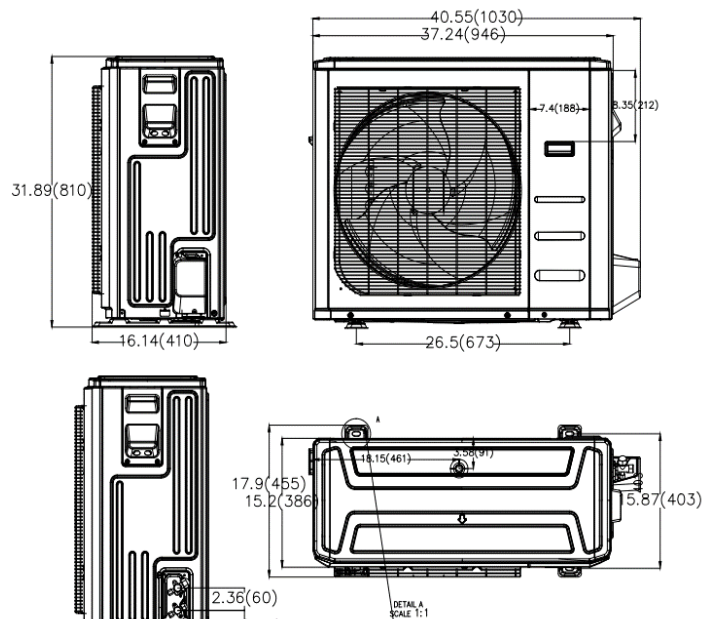
Packing (WxDxH)	(mm)	946x410x810
	(inch)	42.91x19.69x34.84
Net/ Gross weight	(mm)	1090x500x885
	(lbs.)	134.48/144.40
	(kg)	61/65.5

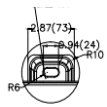
Indoor unit dimension



Capacity (Btu/h)	Unit	A	B	C	D
24K	mm	165	80	205	50
	inch	6.5	3.15	8.07	1.97
36K	mm	165	100	245	60
	inch	6.5	3.64	9.65	2.36
48K	mm	165	100	287	60
	inch	6.5	3.64	11.30	2.36

Outdoor unit dimension





**General Features**

Wireless Remote with LCD Display

Follow Me

Sleep

Timer

Self Clean

46F Heating

Silent

**Extended Performance Data**

