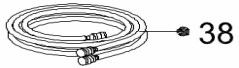


Model

Optional function parts



38



39



40



41



42



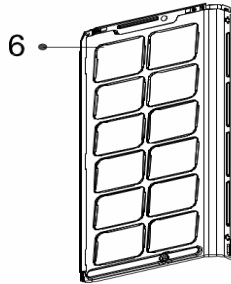
43



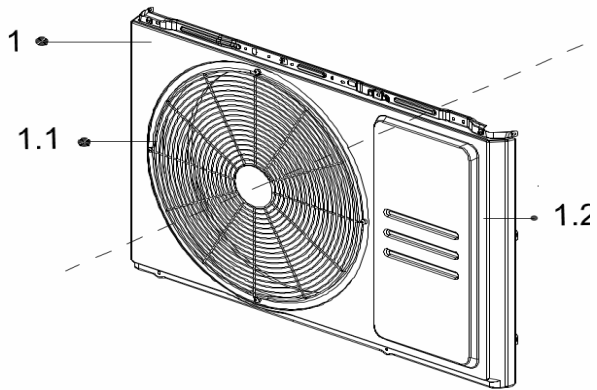
98



99



6



1

1.1

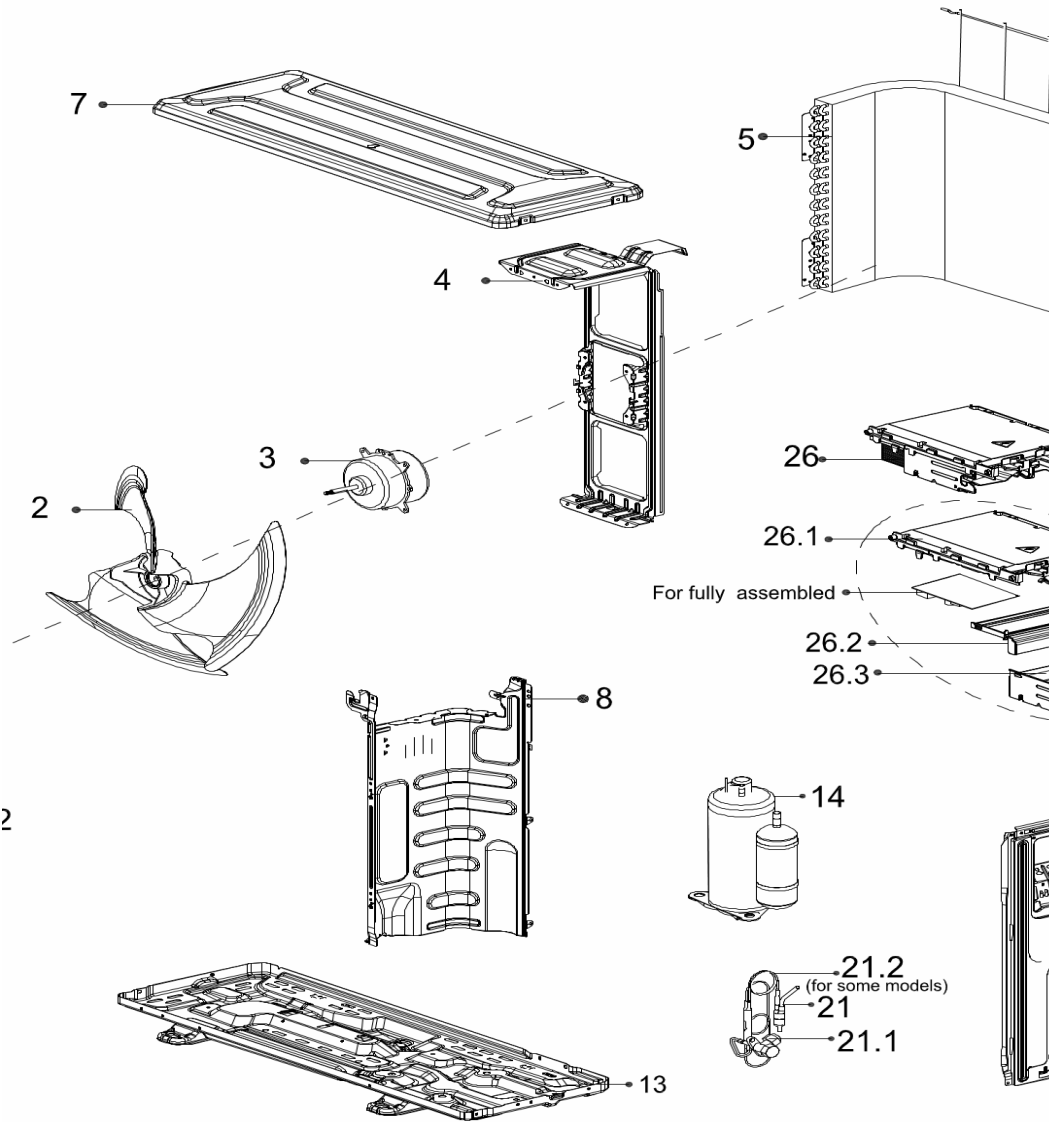
1.2

EX_ID	Spare Parts Code
1	12222000A06317
1.1	12222000A06318
1.2	12222000A06318
2	12100105000961
3	11002015012128
4	12222000013233
5	15822000010456
6	12222000013238
7	12222000013240
8	12222000013665
9	12222000013225
10	12122000007150
11	12222000010966
12	17400401000068
13	12222000013431
14	11103020006759
19	12222000015606
20	15422000019352
20.1	15500204000058
20.2	15500216001903
20.3	12222200005738
20.4	15122000026590
21	15422000017980
21.1	15500208000046
24	11201011000067
25	12222000002259
26	17222000037715
26.1	12122000024223
26.2	12122000024222
26.3	12222000012106
38	15111600A00020
40	17402001000603
41	17402002000464
99	17401203012697

Exploded View

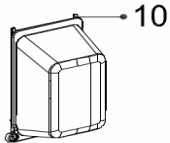
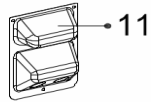
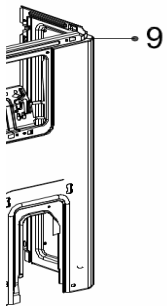
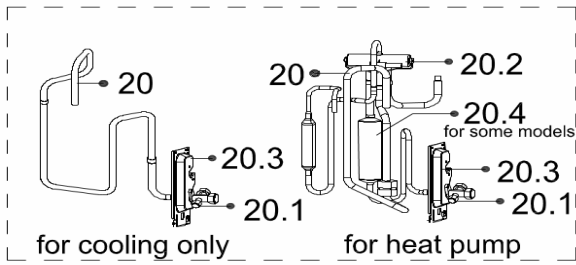
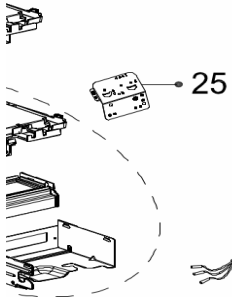
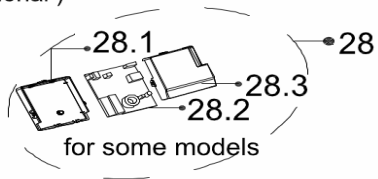
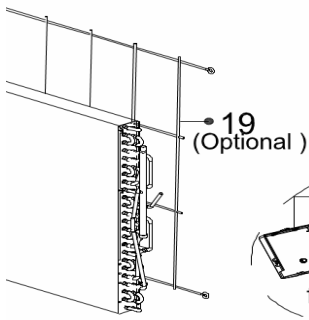
Com

CGS12CD(O)



Part Name(EN)	Qty.
Front panel assembly	1
Front panel	1
Front panel1	1
Axial flow fan	1
Brushless DC Motor	1
Supporter of fan motor	1
Condenser assembly	1
Left supporter	1
Top cover assembly	1
Partition board assembly	1
Right clapboard assembly	1
Water collector	1
Big handle assembly	1
Terminal	1
Chassis assembly	1
DC Inverter rotary compressor	1
Rear net	1
4-way Valve Assembly	1
Gas valve	1
4-way valve	1
Valve plate	1
Muffler subassembly	1
Liquid valve assembly	1
Liquid valve	1
Combination sensor	1
Terminal board	1
Electronic control box subassembly	1
Support of electronic control box	1
Fixing board	1
Electronic installing box subassembly	1
Connecting pipe assembly	1
Crankcase electric heating strip	1
Electric heating tube	1
Compressor wire subassembly	1

fortStar®



For some models

