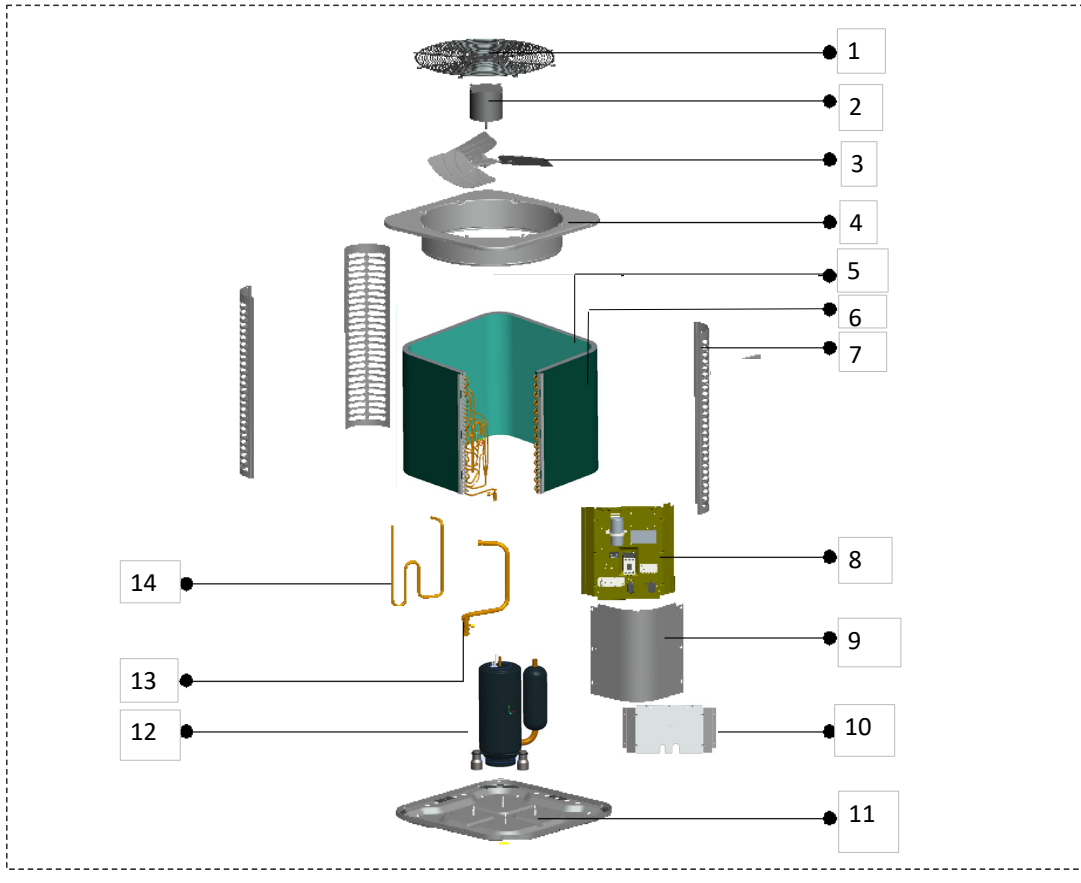
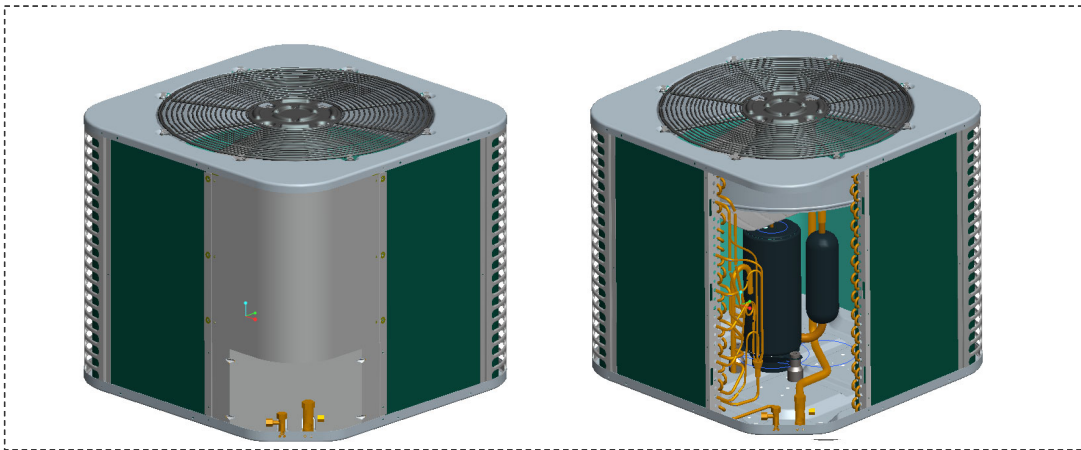


Model: BAR36-14

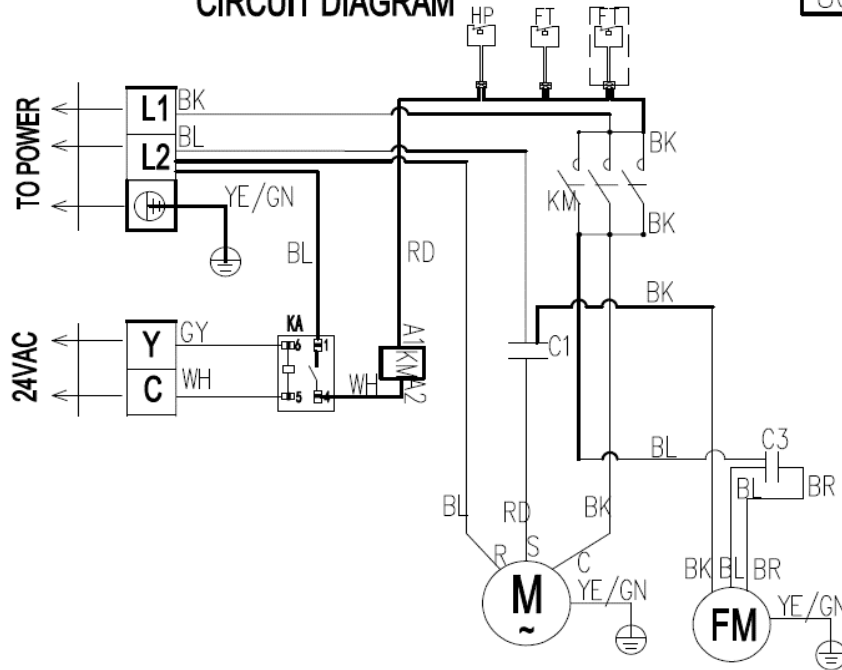
Power 208/230V_1Ph_60HZ

ComfortStar®



CIRCUIT DIAGRAM

80203289009V.2



WIRE COLOR CODE	NOTES	COMPONENT CODE
RD RED BK BLACK BL BLUE PR PURPLE	1. The units should use the unattached power switch, stated-cross-section wires and matching-spec. breaker. 2. Use the fuse within the specified scope, it can not replaced by iron wires or brass wires. 3. The units should install the stated-cross-section earth wire and keep it grounding unfailingly. 4. Low-voltage switch wiring according to the actual situation.	KM CONTACTOR C CAPACITOR M COMPRESSOR TB TERMINAL BLOCK FM FAN MOTOR HP HIGH PRESSURE SWITCH FT EXHAUST SWITCH
OR ORANGE GY GREY GN GREEN BR BROWN		
WH WHITE YE YELLOW BR BROWN		
PR PURPLE		
WIRE INFORMATION		
———— FACTORY CONNECTION		
----- PROJECT CONNECTION		
----- PRACTICALITY EXTERIOR		
----- DASHED CIRCLE		

No.	Part Name	Quantity	Sale code	BOM code	Remark
1	Cover net	1		802925490001	
2	Outdoor motor	1		802400400729	
3	Axial-flow fan	1		802925490002	
4	Top cover assembly	1		801225490037	
5	Condenser assembly	1		801524290052	
5.1	Condenser	1		801524290051	
5.1.1	Condenser left-side board	1		801233490065	
5.1.2	Condenser right-side board	1		801224290035	
5.2	Condenser input pipe assembly	1		801624290275	
5.3	Condenser output pipe assembly	1		801624290244	
5.3.1	High-pressure valves weld assembly	1		801625490074	
5.3.1.1	High-pressure valves connecting pipe	1		801625490076	
5.3.1.2	Block valve body (A02)	1		801600900069	
6	Protection grill	1		801124290003	
7	Support board	3		801224290030	
8	Electronic components	1		803328890028	
8.1	Electric install board weld assembly	1		801225490097	
8.2	Electric waterproof box	2		801225490020	
8.3	Terminal board	1		802425000003	
8.4	Terminal board	1		802425590006	
8.5	Contactar	1		802300100194	
8.6	Fan capacitor	1		802401100044	
8.7	Compressor Capacitor	1		802401000046	
9	Top panel	1		801225490041	
10	Under side panel	1		801224290026	
11	Chassis assembly	1		801224290155	
12	Compressor	1		801401100042	ASH280DG-C8DU
13	Suction pipe weld assembly	1		801624290280	
13.1	Compressor suction pipe	1		801624290279	
13.2	Block valve body (A08)	1		801600900072	
14	Compressor discharge pipe	1		801624290276	