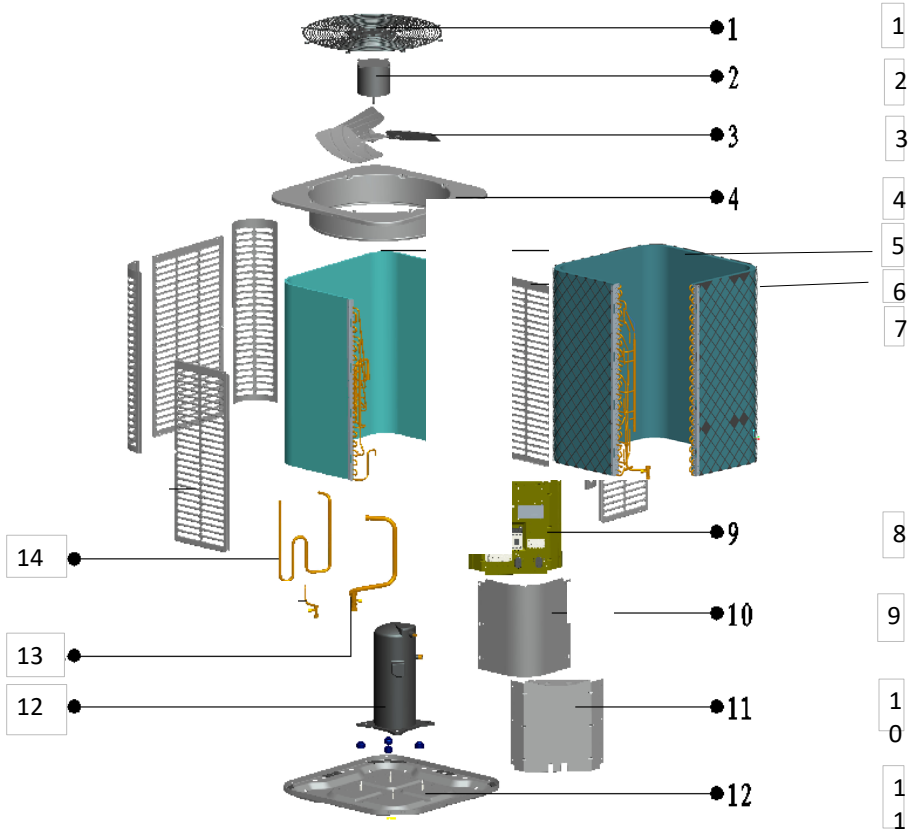
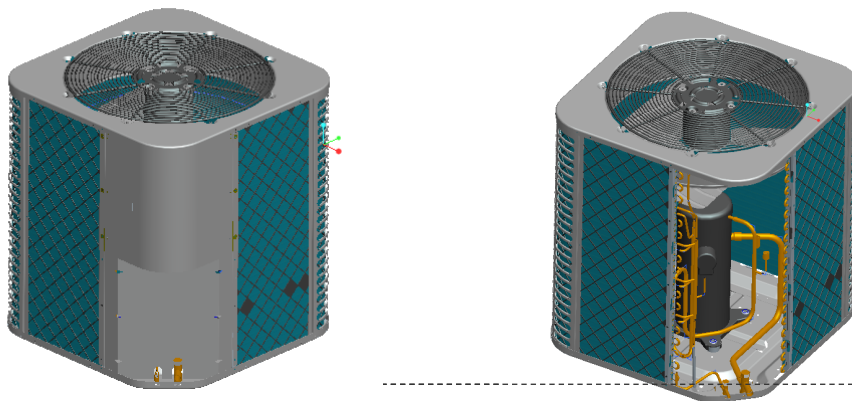


Model:BAR42-14

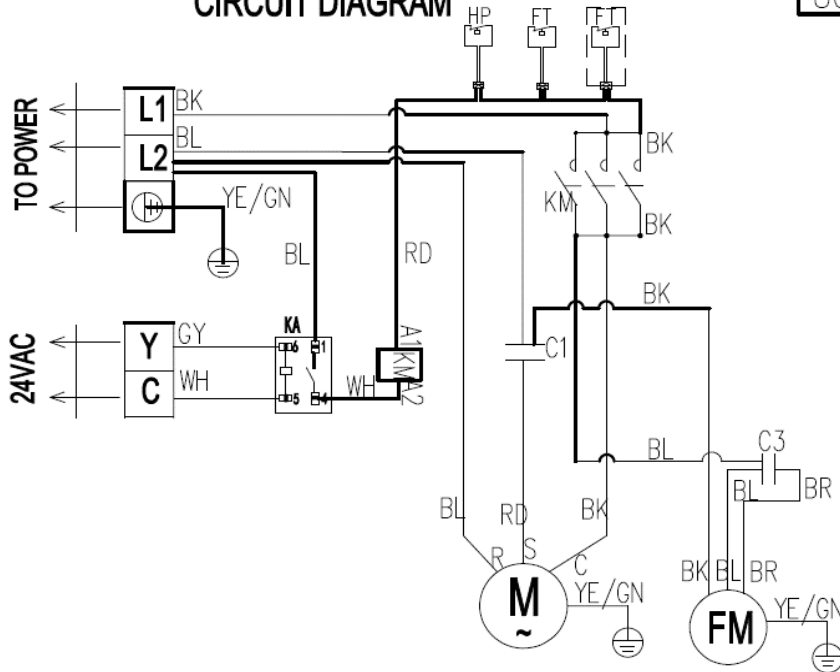
Power 208/230V_1Ph_60HZ

ComfortStar®



CIRCUIT DIAGRAM

80203289009V.2



WIRE COLOR CODE	NOTES	COMPONENT CODE
RD RED BK BLACK BL BLUE PR PURPLE	1. The units should use the unattached power switch, stated-cross-section wires and matching-spec. breaker. 2. Use the fuse within the specified scope, it can not replaced by iron wires or brass wires. 3. The units should install the stated-cross-section earth wire and keep it grounding unfaillingly. 4. Low-voltage switch wiring according to the actual situation.	KM CONTACTOR C CAPACITOR M COMPRESSOR TB TERMINAL BLOCK FM FAN MOTOR HP HIGH PRESSURE SWITCH FT EXHAUST SWITCH
OR ORANGE GY GREY GN GREEN WH WHITE YE YELLOW BR BROWN		
WIRE INFORMATION		
----- FACTORY CONNECTION		
----- PROJECT CONNECTION		
----- PRACTICALITY EXTERIOR		
----- DASHED CIRCLE		

No.	Part Name	Quantity	BOM code	Remark
1	Cover net	1	802925490001	
2	Outdoor motor	1	802400400729	
3	Axial-flow fan	1	802925490002	
4	Top cover assembly	1	801225490037	
5	Condenser assembly	1	801525490042	
5.1	Condenser	1	801525490041	
5.1.1	Condenser left-side board	1	801625490185	
5.1.2	Condenser right-side board	1	801219900619	
5.2	Condenser input pipe assembly	1	801625490182	
5.3	Condenser output pipe assembly	1	801625490185	
5.3.1	High-pressure valves weld assembly	1	801625490074	
5.3.1.1	High-pressure valves connecting pipe	1	801625490076	
5.3.1.2	Block valve body (A02)	1	801600900069	
6	Protection grill	1	801125490001	
7	Support board	3	801225490047	
8	Electronic components	1	803333690002	
8.1	Electric install board weld assembly	1	801225490097	
8.2	Electric waterproof box	2	801225490020	
8.3	Terminal board	1	802425000003	
8.4	Terminal board	1	802425590006	
8.5	Contactar	1	802300100227	
8.6	Fan capacitor	1	802401100044	
9	Top panel	1	801225490041	
10	Under side panel	1	801225490119	
11	Chassis assembly	1	801225490153	
12	Compressor	1	801400100029	ABG036KAC
13	Suction pipe weld assembly	1	801625490158	
13.1	Compressor suction pipe	1	801634090116	
13.2	Block valve body (A08)	1	801600900072	
14	Compressor discharge pipe	1	801625490186	