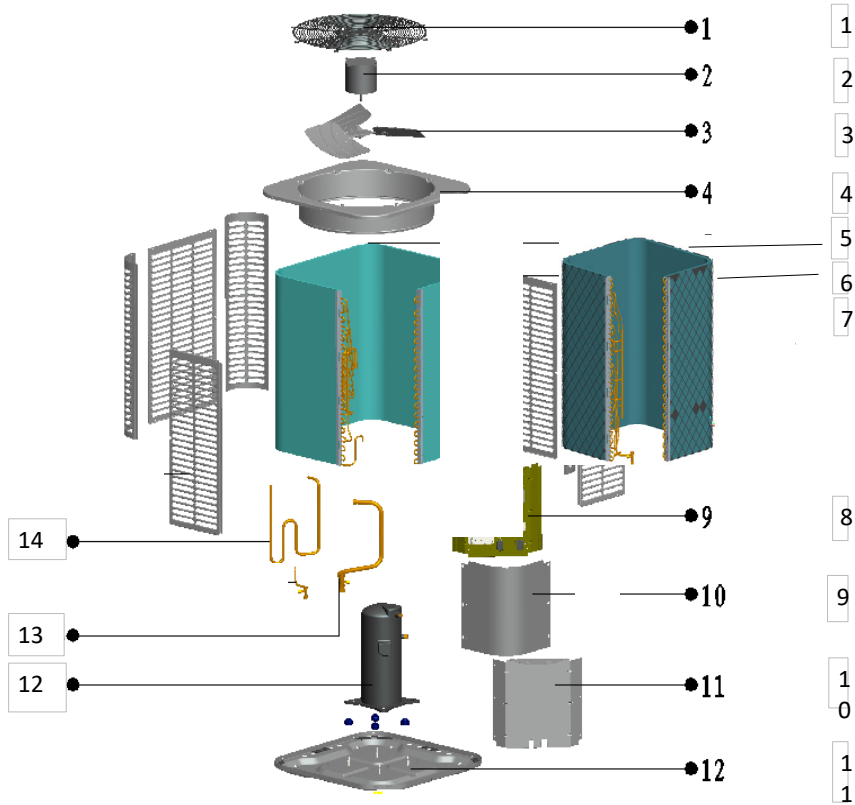
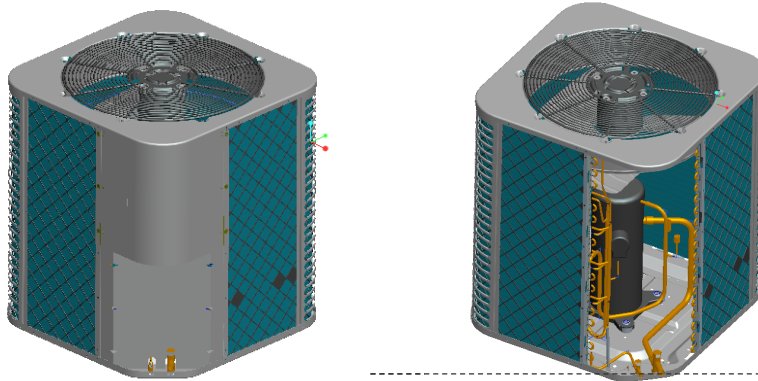


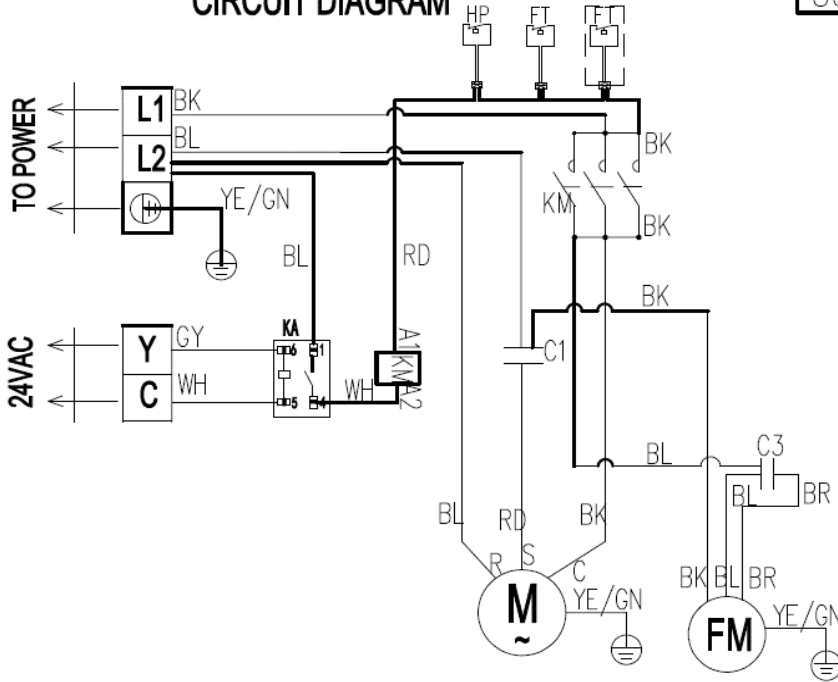
Model: BAR48-14
Power supply: 208/230V_1Ph_60HZ

ComfortStar®



CIRCUIT DIAGRAM

80203289009V.2



| WIRE COLOR CODE | NOTES | COMPONENT CODE |
|---|---|--|
| RD RED OR ORANGE BK BLACK GY GREY BL BLUE GN GREEN PR PURPLE | 1. The units should use the unattached power switch, stated-cross-section wires and matching-spec. breaker. 2. Use the fuse within the specified scope, it can not replaced by iron wires or brass wires. 3. The units should install the stated-cross-section earth wire and keep it grounding unfaithfully. 4.Low-voltage switch wiring according to the actual situation. | KM CONTACTOR C CAPACITOR M COMPRESSOR TB TERMINAL BLOCK FM FAN MOTOR HP HIGH PRESSURE SWITCH FT EXHAUST SWITCH |
| WH WHITE YE YELLOW GY GREY GN GREEN BR BROWN | | |
| WIRE INFORMATION _____ FACTORY CONNECTION _____ PROJECT CONNECTION _____ PRACTICALITY EXTERIOR _____ DASHED CIRCLE | | |

| No. | Part Name | Quantity | BOM code | Remark |
|---------|--------------------------------------|----------|--------------|-----------|
| 1 | Cover net | 1 | 802925490001 | |
| 2 | Outdoor motor | 1 | 802400400516 | |
| 3 | Axial-flow fan | 1 | 802925490002 | |
| 4 | Top cover assembly | 1 | 801225490037 | |
| 5 | Condenser assembly | 1 | 801525490042 | |
| 5.1 | Condenser | 1 | 801525490041 | |
| 5.1.1 | Condenser left-side board | 1 | 801625490185 | |
| 5.1.2 | Condenser right-side board | 1 | 801219900619 | |
| 5.2 | Condenser input pipe assembly | 1 | 801625490182 | |
| 5.3 | Condenser output pipe assembly | 1 | 801625490185 | |
| 5.3.1 | High-pressure valves weld assembly | 1 | 801625490074 | |
| 5.3.1.1 | High-pressure valves connecting pipe | 1 | 801625490076 | |
| 5.3.1.2 | Block valve body (A02) | 1 | 801600900069 | |
| 6 | Protection grill | 1 | 801125490001 | |
| 7 | Support board | 3 | 801225490047 | |
| 8 | Electronic components | 1 | 803334090025 | |
| 8.1 | Electric install board weld assembly | 1 | 801225490097 | |
| 8.2 | Electric waterproof box | 2 | 801225490020 | |
| 8.3 | Terminal board | 1 | 802425000003 | |
| 8.4 | Terminal board | 1 | 802425590006 | |
| 8.5 | Contactore | 1 | 802300100227 | |
| 8.6 | Fan capacitor | 1 | 802401100051 | |
| 9 | Top panel | 1 | 801225490041 | |
| 10 | Under side panel | 1 | 801225490119 | |
| 11 | Chassis assembly | 1 | 801225490153 | |
| 12 | Compressor | 1 | 801400100030 | ABG042KAC |
| 13 | Suction pipe weld assembly | 1 | 801625490189 | |
| 13.1 | Compressor suction pipe | 1 | 801625490188 | |
| 13.2 | Block valve body (A10) | 1 | 801600900101 | |
| 14 | Compressor discharge pipe | 1 | 801625490186 | |