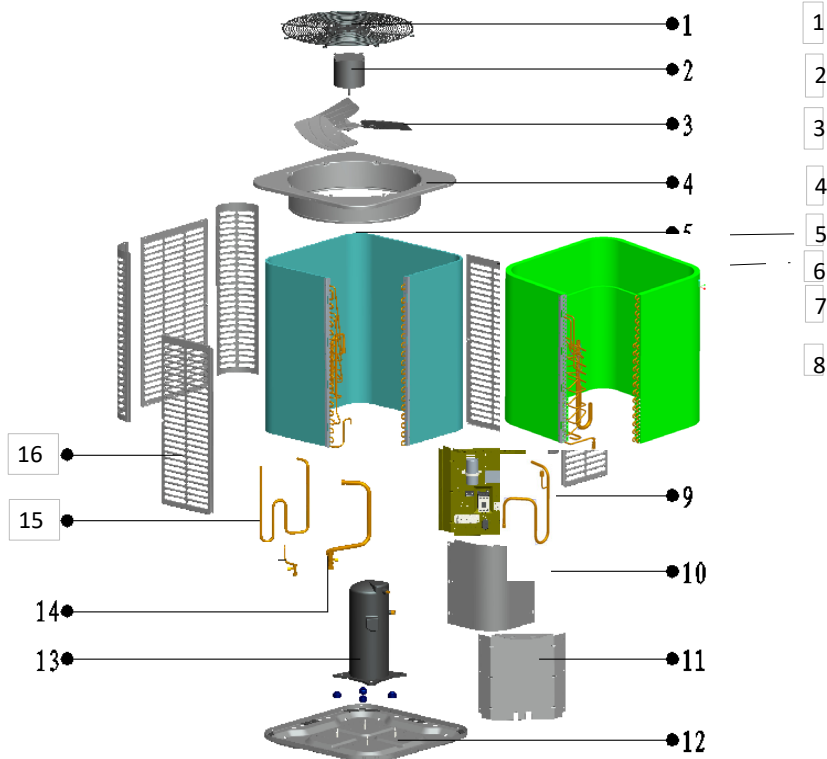
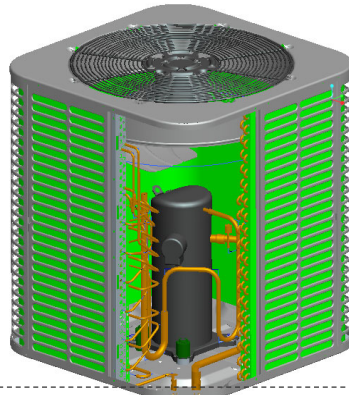
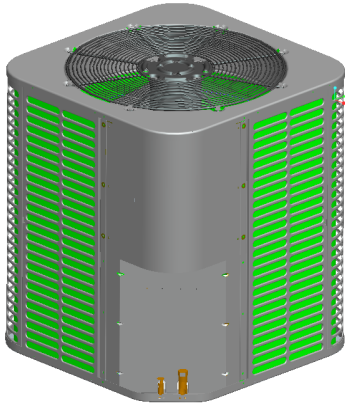


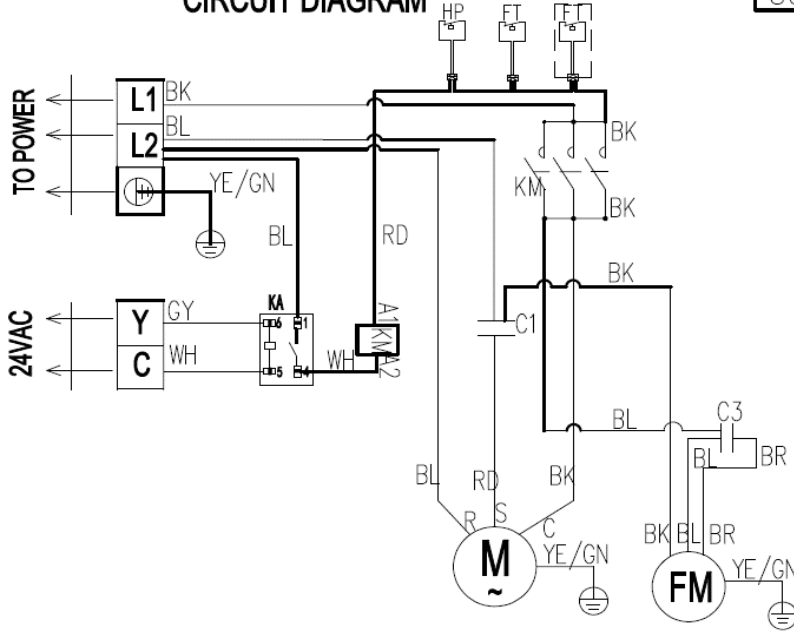
Model: BAR60-14
Power supply: 208/230V_1Ph_60HZ

ComfortStar®



CIRCUIT DIAGRAM

80203289009V.2



WIRE COLOR CODE	NOTES	COMPONENT CODE
RD RED BK BLACK BL BLUE PR PURPLE	<p>1. The units should use the unattached power switch, stated-cross-section wires and matching-spec. breaker.</p> <p>2. Use the fuse within the specified scope, it can not replaced by iron wires or brass wires.</p> <p>3. The units should install the stated-cross-section earth wire and keep it grounding unfaillingly.</p> <p>4. Low-voltage switch wiring according to the actual situation.</p>	<p>KM CONTACTOR C CAPACITOR M COMPRESSOR TB TERMINAL BLOCK FM FAN MOTOR HP HIGH PRESSURE SWITCH FT EXHAUST SWITCH</p>
OR ORANGE GY GREY GN GREEN		
WH WHITE YE YELLOW BR BROWN		
PR PURPLE		
WIRE INFORMATION		
FACTORY CONNECTION		
PROJECT CONNECTION		
PRACTICALITY EXTERIOR		
DASHED CIRCLE		

No.	Part Name	Quantity	BOM code	Remark
1	Cover net	1	802925490001	
2	Outdoor motor	1	802400400516	
3	Axial-flow fan	1	802925490002	
4	Top cover assembly	1	801225490037	
5	Condenser assembly	1	801534490075	
5.1	Condenser	1	801534490074	
5.1.1	Condenser left-side board	1	801225090017	
5.1.2	Condenser right-side board	1	801219900619	
5.1.3	Condenser left-side board	1	801234490076	
5.2	Condenser input pipe assembly	1	801634490166	
5.3	Condenser output pipe assembly	1	801634490172	
5.3.1	High-pressure valves weld assembly	1	801625490074	
5.3.1.1	High-pressure valves connecting pipe	1	801625490076	
5.3.1.2	Block valve body (A02)	1	801600900069	
6	Rear side-panel	2	801225490039	
7	Support board	3	801225490047	
8	Right side panel	1	801225490045	
9	Electronic components	1	803334090028	
9.1	Electric install board weld assembly	1	801225490097	
9.2	Electric waterproof box	2	801225490020	
9.3	Terminal board	1	802425000001	
9.4	Contactur	1	802300100194	
9.5	Fan capacitor	1	802401100051	
10	Top panel	1	801225490041	
11	Under side panel	1	801225490119	
12	Chassis assembly	1	801225490153	
13	Compressor	1	801400100031	ABG051KAC
14	Suction pipe weld assembly	1	801625490189	
14.1	Compressor suction pipe	1	801625490188	
14.2	Block valve body (A10)	1	801600900101	
15	Compressor discharge pipe	1	801634490174	
16	Left side panel	1	801225490051	