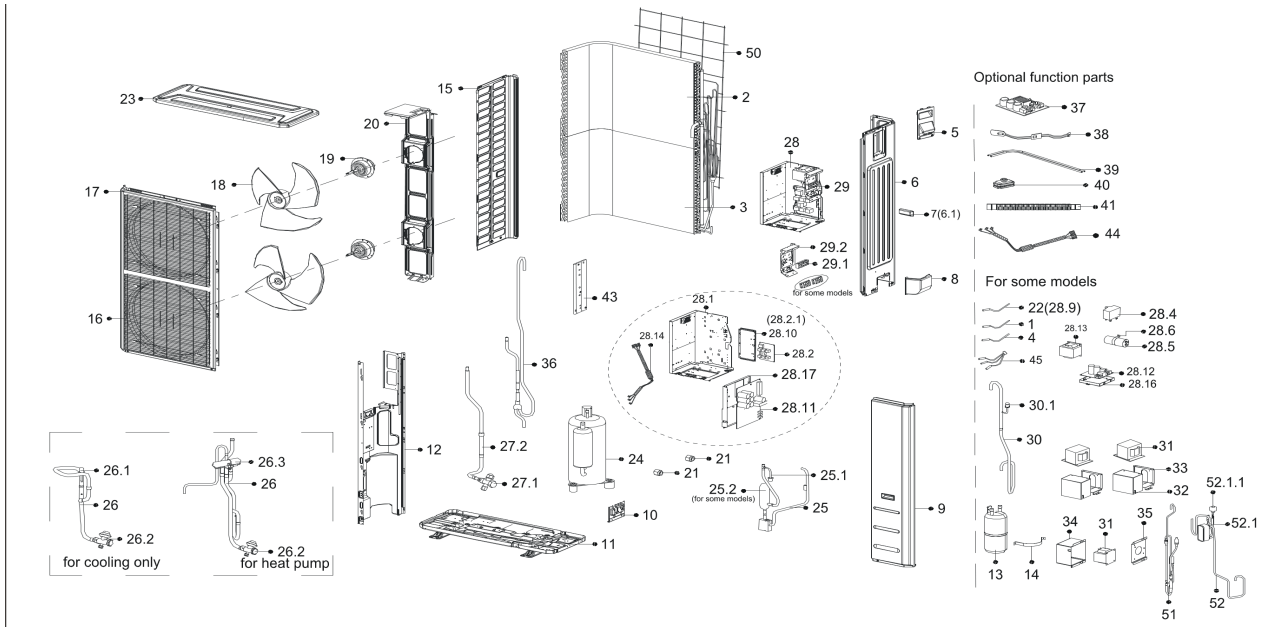


## Exploded View

Model: CGS30CD(O)

# ComfortStar®



EX_ID	Spare Parts Code	Part Name(EN)	Qty.	Remarks
1	1222200006665	Left side plate assembly of cabinet	1	
1.1	12100701000033	Small handle	1	
2	1582200011928	Condenser Assembly	1	
4	12222000006664	Rear right clapboard assembly	1	
5	12222000011086	Big handle assembly	1	
6	12122200002895	Water collector	1	
7	12222500A00135	Front right clapboard assembly	1	
7.1	12100702000038	handle	1	
9	1222200004018	Chassis assembly	1	
10	12222000A01431	Front panel	1	
11	12222000014845	Air outlet grille	1	
12	12100105000084	Axial flow fan	1	
13	11002015000247	Brushless DC Motor	1	
14	12222000005162	Supporter subassembly of fan motor	1	
16	12222000012328	Partition board assembly	1	
18	12222500000587	Top cover assembly	1	
19	17222000037709	Electronic control box subassembly	1	
19.1	12122000025662	Cover of electronic control box	1	
19.2	17122000051183	Outdoor main control board subassembly	1	
20	17222000036685	Terminal board subassembly	1	
20.1	17400401000068	Terminal	1	
20.2	12222000012985	Electronic installing box subassembly	1	
20.2.1	12122000024381	U-Typed Support with Copper Pipe	1	
21	1542200004892	4-way valve assembly	1	
21.1	15500204000025	Gas valve	1	
21.2	15500216000361	4-way valve	1	
21.4	15122000010254	Suction pipe	1	
21.5	15122000010256	Discharge pipe	1	
21.6	15500506000007	Muffler	1	
22	15422000019472	Liquid valve assembly	1	
22.1	15500208000286	Liquid valve	1	
22.3	1222200002110	Valve plate	1	
22.4	15500210002108	Throttle valve	1	
25	12222000006604	Rear net	1	
26	11103200000559	DC Inverter Rotary Compressor	1	
38	17402001000601	Crankcase electric heater	1	
39	17402002000466	Electric heating tube	1	
43	15122000026020	Radiator subassembly	1	
46	12122000016029	Cover of electronic control box	1	
47	11201011000188	Combination sensor	1	
49	15111600A00018	Connecting pipe assembly	1	
50	15422000017858	Electronic expansion valve subassembly	1	
50.1	15500213000265	Electronic expansion valve body	1	
99	17401203000751	Compressor wire subassembly	1	