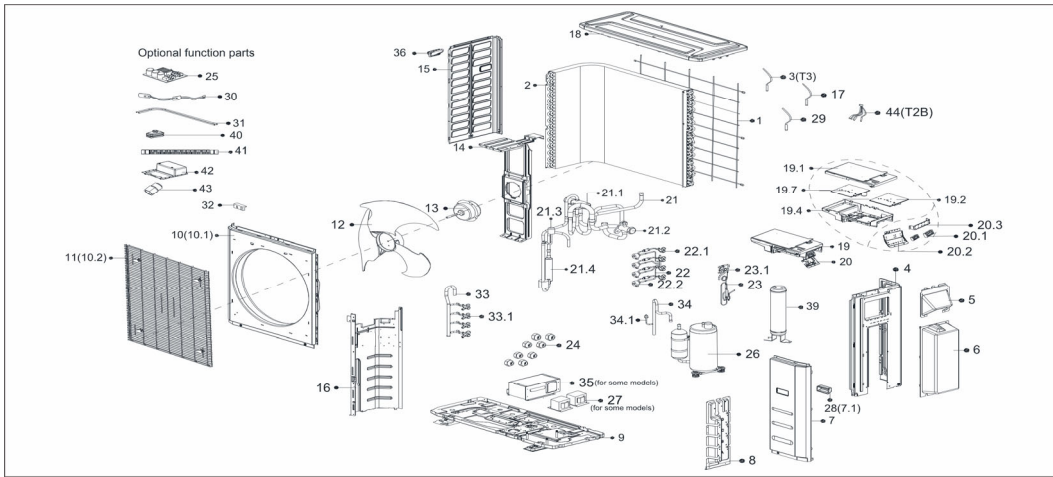


Exploded View

ComfortStar®

Model

CMZ-48-4Z



EX_ID	Spare Parts Code	Part Name(EN)	Qty.	Price	Replace Type	Remarks
1	1222200006604	Rear net	1			
2	1582200009578	Condenser assembly	1			
3	11201007003442	Pipe Temperature Sensor	1			
4	12222000012226	Rear right clapboard assembly	1			
5	12222000011085	Big handle assembly	1			
6	12122300000110	Water collector	1			
7	12222500A00135	Front right clapboard assembly	1			
7.1	12100702000038	handle	1			
8	12222000005282	Valve plate	1			
9	12222000005267	Chassis assembly	1			
10	12222000A01431	Front panel1	1			
10.1	12222000016109	Front panel2	1			
11	12222000014845	Air outlet grille	1			
12	12100105000084	Axial flow fan	1			
13	11002015000247	Brushless DC Motor	1			
14	12222500000547	Supporter subassembly of fan motor	1			
15	12222000006665	Left side plate assembly of cabinet	1			
15.1	12100701000033	Small handle	1			
16	12222200001156	Partition board assembly	1			
17	11201007003448	Room Temperature Sensor	1			
18	12222500000587	Top cover assembly	1			
19	1722300002648	Electronic control box subassembly	1			
19.1	12122000006905	Cover of electronic control box	1			
19.2	17122300003973	Main control board subassembly	1			
19.4	12122300000170	Electronic installing box	1			
19.7	17122000052007	Inverter module subassembly	1			
20	17222300000790	Terminal board subassembly	1			
20.1	17400401000135	Terminal1	1			
20.1	17400401000084	Terminal2	1			
20.2	122223000000033	Terminal board1	1			
20.3	122223000000032	Terminal board2	1			
21	15422000019432	4-way Valve Assembly	1			
21.1	15500216000361	4-way valve	1			
21.2	15500204000049	Gas valve1	1			
21.3	17400516000851	Pressure switch	1			
21.4	15122000027837	Muffler subassembly	1			
22	154223000000364	Liquid valve assembly 1	1			
22.1	15500208000028	Liquid valve1	4			
22.2	15500213000046	Electronic expansion valve subassembly	4			
23	15422000016293	Liquid valve assembly	1			
23.1	15500208000047	Liquid valve	1			
24	15500406000010	Copper nut1	3	A01=6.35mm(1/4in);B02=		
24	15500406000012	Copper nut2	4	A01=6.35mm(1/4in);B02=		
24	15500406000016	Copper nut3	4	A01=6.35mm(1/4in);B02=		
26	11103020000719	DC Inverter Rotary Compressor	1			
27	17400306000058	Reactor	1			
29	11201007003124	Discharge Temperature Sensor	1			
30	17402020000466	Electric heating tube	1			
31	17402091000601	Crankcase electric heater	1			
33	15422300000365	Gas valve assembly	1			
33.1	15500204000021	Gas valve2	3			
33.1	15500204000058	Gas valve3	1			
34	15122300001024	Suction pipe assembly	1			
34.1	17400516000848	Pressure switch	1			
39	15500508000315	Accumulator cylinder	1			
44	11201007000007	Pipe Temperature Sensor	1			
99	174012030000939	Compressor wire subassembly	1			