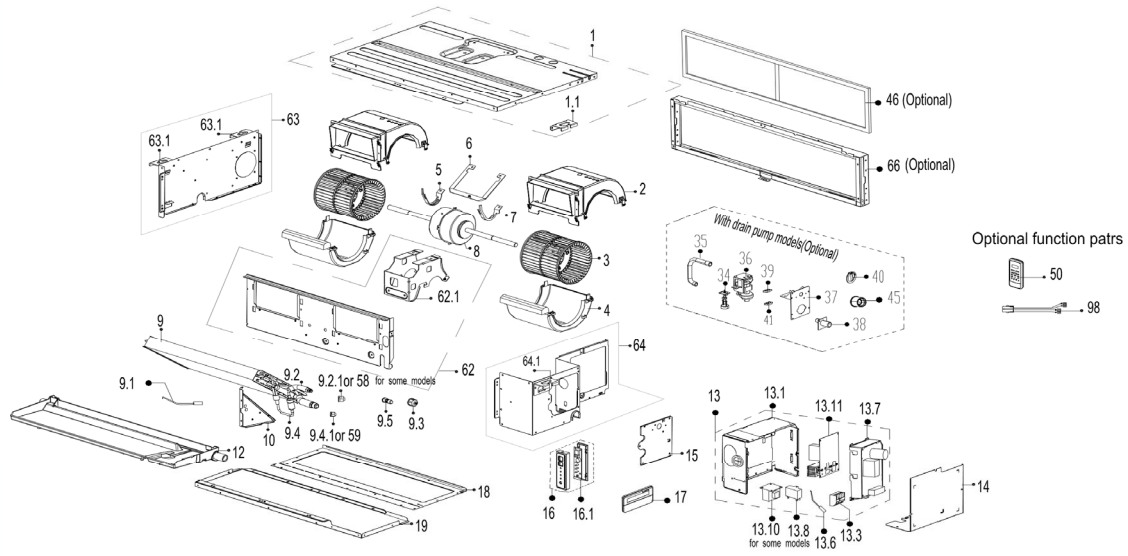


ComfortStar Model Number: CPA-09B  
Power Supply : 208-230V/1Ph/60HZ

ComfortStar®



EX_ID	Spare Parts Code	Part Name(EN)	Qty.	Remark
1	12223000011148	Chassis subassembly	1	
1.1	12223000011162	Hook	1	
2	12123000001180	Top volute subassembly	2	
3	12100103000804	centrifuge fan	2	
4	12123000001161	bottom volute	2	
5	1222500000253	Fan motor axes clamp (left)	1	
6	12223000010427	Fan motor fixing board	1	
7	1222500000255	Fan motor axes clamp (right)	1	
8	11002015008306	Brushless DC Motor	1	
9	15823000004321	Evaporator Assembly	1	
9.1	11201007002320	Pipe temperature sensor	1	
9.2	15123000010747	Evaporator outlet pipe subassembly	1	
9.3	15500404000002	Pipe Nut	1	
9.4	15123000010589	Evaporator inlet pipe subassembly	1	
9.5	15500209000001	Check valve	1	
10	12223000A04010	Evaporator right support board subassembly	1	
12	12123000001164	Water collector	1	
13	17223000005236	E-Parts Box assembly	1	
13.1	12223000010447	Electronic control box	1	
13.3	17400401000075	Terminal	1	
13.6	11201007000283	Room temperature sensor	1	
13.7	17123000004312	Duct main control board subassembly	1	
13.10	17400306000070	Reactor	1	
13.11	17122000038512	Inverter module subassembly	1	
14	12223000010314	Cover of electronic control box	1	
15	12223000A04012	Pipe clamp board subassembly	1	
16	17223000000003	Duct display board subassembly	1	
16.1	17123000002712	Duct display board subassembly	1	
17	17317100003015	Wired controller	1	
18	12223000010323	Rear cover subassembly	1	
19	12223000010326	Top cover subassembly	1	
34	11201005000006	Water level sensor	1	
35	12623000000003	Rubber tube	1	
36	17400802000021	Water pump	1	
38	12100510000021	Drain pipe	1	
39	12622500000004	Drain pump rubber washer	1	
41	12622500000003	Drain pump rubber washer	1	
46	12223000A03901	Air filter	1	
50	17317000A16345	Remote controller	1	
51	12117000002116	Bracket of remote Controller	1	
54	12011600A00310	Accessory kit	1	
58	15500406000010	Copper nut	1	
59	15500406000016	Copper nut	1	
62	12223000010325	Middle beam subassembly	1	
62.1	12223000010309	Fan motor support	1	
63	12223000011160	Left side plate assembly of cabinet	1	
63.1	12223000011161	Hook	2	
64	12223000011156	Right clapboard subassembly	1	
64.1	12223000011161	Hook	1	
66	12223000A03903	Right clapboard subassembly	1	