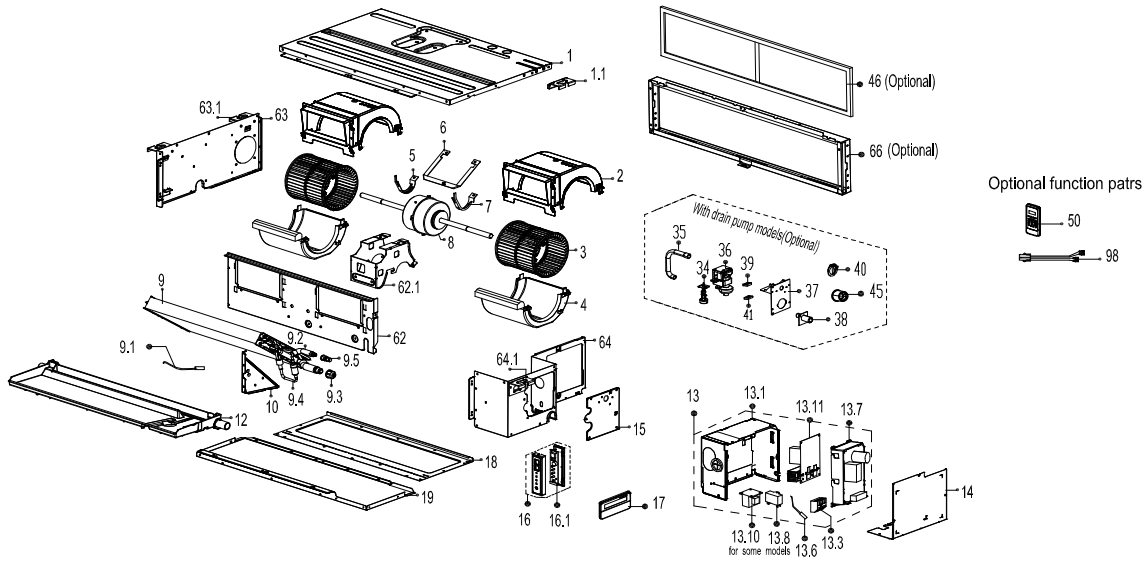


ComfortStar Model Number: CPA-12B
Power Supply: 208-230V/1Ph/60HZ

ComfortStar®



No.	Part Name	Quantity	PART#
1	Chassis Subassembly	1	12223000010324
2	Top Volute Subassembly	2	12123000001180
3	Centrifuge Fan	2	12100103000804
4	Bottom Volute	2	12123000001161
5	Fan Motor Axes Clamp (Left)	1	B80200005
6	Fan Motor Fixing Board	1	12223000010427
7	Fan Motor Axes Clamp (Right)	1	B80200006
8	Brushless Dc Motor	1	11002015006981
9	Evaporator Assembly	1	15823000004183
9.1	Pipe Temperature Sensor	1	M01300226
9.2	Evaporator Outlet Pipe Subassembly	1	15123000010590
9.3	Pipe Nut	1	F00400088
9.4	Evaporator Inlet Pipe Subassembly	1	15123000010589
9.5	Detection Valve	1	F01600099
10	Evaporator Right Support Board Subassembly	1	12223000A04010
12	Water Collector	1	12123000001164
13	E-Parts Box Assembly	1	17223000005237
13.1	Electronic Control Box	1	12223000010447
13.3	Terminal	1	M01400256
13.6	Room Temperature Sensor	1	M01300836
13.7	Duct Main Control Board Subassembly	1	17123000004314
13.10	Reactor	1	M01000950
13.11	Inverter Module Subassembly	1	17122000038512
14	Cover Of Electronic Control Box	1	12223000010314
15	Pipe Clamp Board Subassembly	1	12223000A04012
16	Duct Display Board Subassembly	1	W70190008
17	Wired Controller	1	17317100001195
18	Rear Cover Subassembly	1	12223000010323
19	Top Cover Subassembly	1	12223000010326
34	Water Level Sensor	1	M01310051
35	Pump Pipe	1	Q70290004
36	Motor Subassembly	1	N00600005
38	Drain Pipe	1	A01030002
39	Drain Pump Rubber Washer 1	1	Q42000404
41	Drain Pump Rubber Washer 2	1	Q42000405
46	Air Filter	1	12223000A03901
50	Remote Controller	1	17317000A16345
51	Bracket Of Remote Controller	1	A550A3109
62	Middle Beam Subassembly	1	12223000010325
63	Left Side Plate Assembly Of Cabinet	1	12223000010311
63.1	Hook 1	2	12223000006628
64	Right Clapboard Subassembly	1	12223000010320
64.1	Hook 2	1	12223000006628
66	Clapboard Subassembly	1	12223000A03903