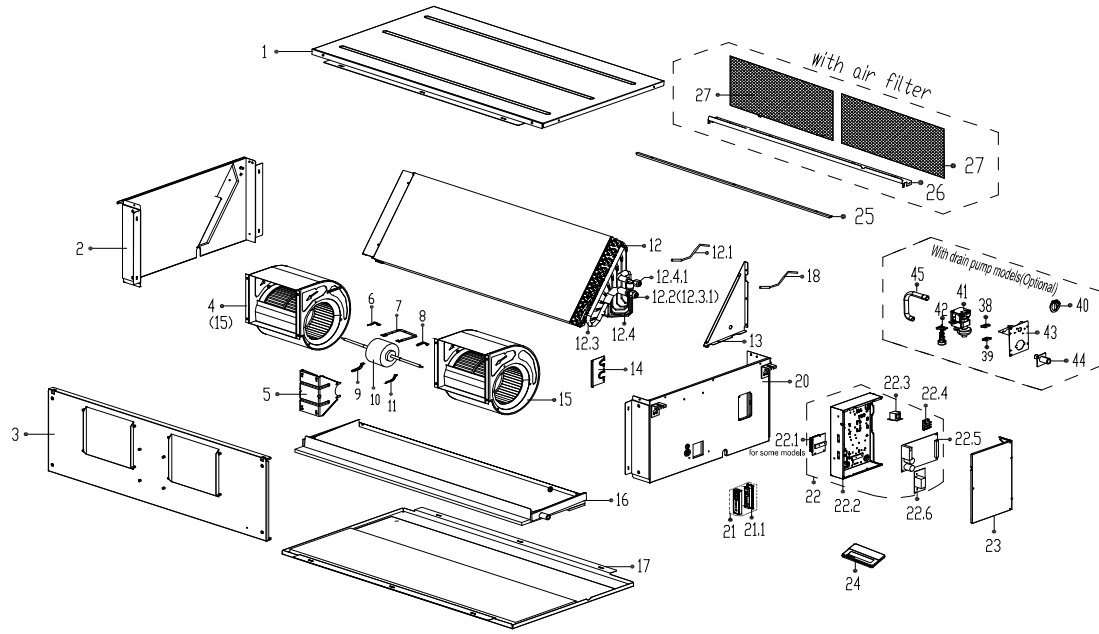


ComfortStar Model Number: CPA-60DU
Power Supply: 208-230V/1Ph/60HZ

ComfortStar®



No.	Part Name	Quantity	PART#
1	Top Cover Subassembly	1	12223000A04154
2	Left Clapboard Subassembly	1	12223000A04153
3	Front Clapboard Assembly	1	12223000A04156
5	Fan Motor Support	1	12223000008750
6	Fan Motor Cover 1	1	B86000007
7	Fan Motor Fixing Board	1	12223000008751
8	Fan Motor Cover 2	1	B86000008
9	Fan Motor Cover 3	1	B86000052
10	Brushless Dc Motor	1	11002015003981
11	Fan Motor Cover	1	B86000053
12	Evaporator Assembly	1	15823100A00733
12.1	Pipe Temperature Sensor (L1300)	1	M01300111
12.1	Pipe Temperature Sensor (L1400)	1	M01300804
12.3	Evaporator Outlet Pipe Subassembly	1	F70890312
12.4	Evaporator Inlet Pipe Subassembly	1	F70890318
12.4.1	Copper Nut	1	F00320001
13	Evaporator Right Support Board Subassembly	1	12223000A04152
14	Pipe Clamp Board Subassembly	1	12223000006867
15	Fan Assembly(Right)	2	B00300874
16	Water Collector Subassembly	1	12223000A04159
17	Chassis Subassembly	1	12223000A04158
18	Room Temperature Sensor	1	N40220061
20	Right Clapboard Subassembly	1	12223000A04151
21	Duct Display Board Subassembly	1	W70190008
22	Duct Electronic Control Box Subassembly	1	17223000004936
22.2	Electronic Control Box	1	12223000008007
22.3	Reactor	1	M01000950
22.4	Wire Joint	1	M01400306
22.5	Duct Main Control Board Subassembly	1	17123000004052
22.6	Inverter Module Subassembly	1	17122000036368
23	Cover Of Electronic Control Box	1	12223000010291
24	Wired Controller	1	17317100001195
25	Flange Board	4	B70890278
27	Air Filter	1	A708A0001
27	Filter Filter Clamp	4	B708A0067
36	Remote Controller	1	17317000A16345
37	Bracket Of Remote Controller	1	A550A3109
38	Drain Pump Rubber Washer 1	1	Q42000404
39	Drain Pump Rubber Washer 2	1	Q42000405
40	Cover Of Water Testing Hole	1	A70290006
41	Motor Subassembly	1	N00600005
42	Water Level Sensor	1	M01310051
43	Exhaust Pump Subassembly	1	B70290085
44	Drain Pipe	1	A01030002
45	Pump Pipe	1	Q70290004