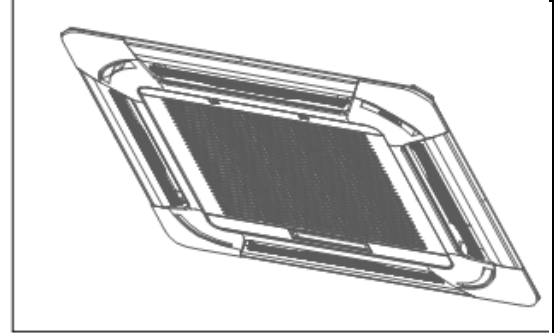
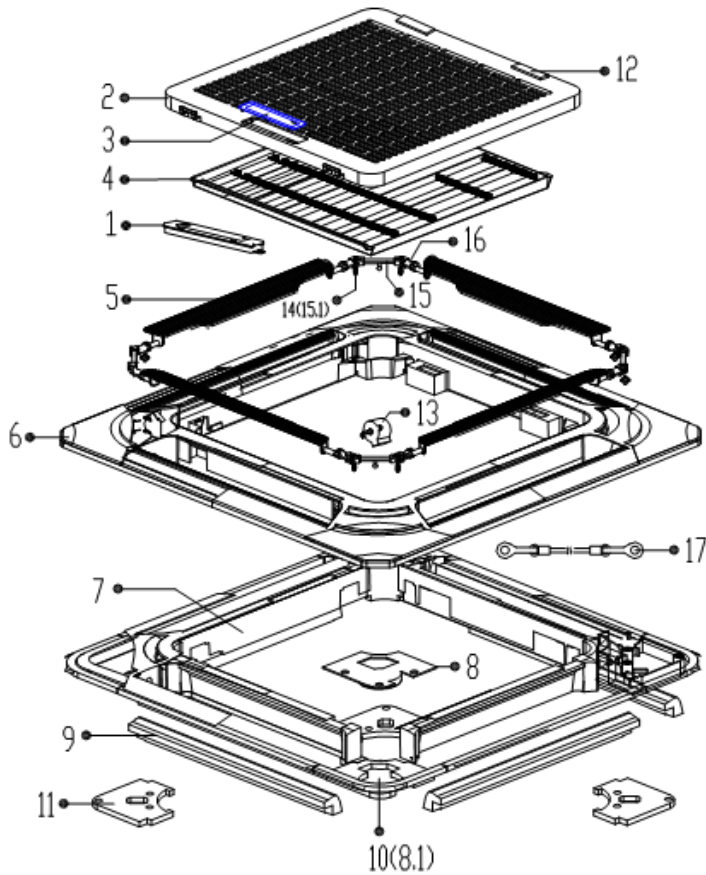


ComfortStar Model Number: Cassette panel for 9,12,18K

Power Supply: 208-230V/60Hz/1Ph

Alegria Platinum- Light Commercial - Cassette Panels.



No.	Part Name	Quantity	PART#
1	Display Box Assembly	1	W2490049
2	Indoor Air Inlet Grille Assembly	1	12122500A08159
3	Control Box Cover	1	A2000447
4	Filter Assembly	1	A2000443
5	Louver	4	A9991797
6	Panel Frame	1	A9991823
7	Panel Foam li	4	L9990002
8	Cover Assembly Of Installation Plate	1	A9991840
8.1	Sponge	1	K9980052
9	Panel Foam I	4	L9990001
11	Cover	3	A9991841
12	Grille Clamp	2	A2000446
13	Louver Motor	1	11002010000546
15	Transmission Shaft	3	A9991835
15.1	Cardan Shaft	2	A9980153
16	Bearing Base	8	A9980152
17	Hook Assembly	2	A9980149