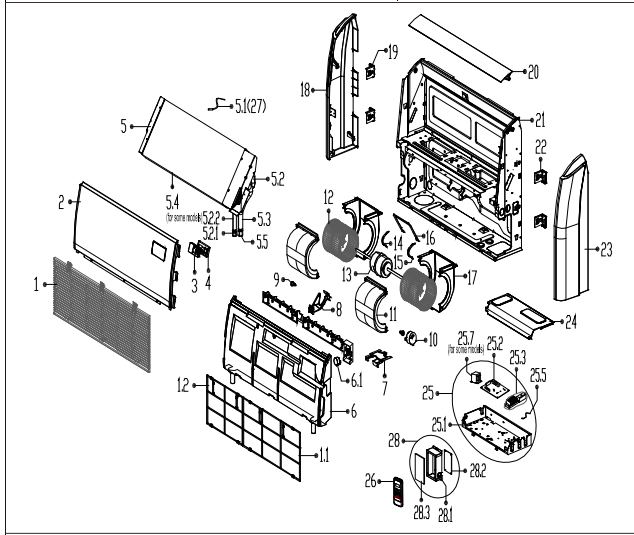


|                |                   |
|----------------|-------------------|
| Sale Model :   | FPA-18            |
| Power Supply : | 208_230V_1Ph,60HZ |



| No.   | Part Name                           | Quantity | PART #         |
|-------|-------------------------------------|----------|----------------|
| 1     | Air inlet grille assembly I         | 1        | 201144290054   |
| 1.1   | Air filter I                        | 1        | 201144790024   |
| 1.2   | Air filter II                       | 1        | 201144790023   |
| 2     | Top cover assembly                  | 1        | 201244290052   |
| 3     | Display board assembly              | 1        | 201344790040   |
| 4     | Display installation box            | 1        | 201144790016   |
| 5     | Evaporator assembly                 | 1        | 15822700A01173 |
| 5.1   | Pipe temperature sensor assembly    | 1        | 202301300111   |
| 5.2   | Input pipe assembly                 | 1        | 201644190059   |
| 5.2.1 | Copper nut                          | 1        | 201600320000   |
| 5.3   | Output pipe assembly                | 1        | 201644190057   |
| 5.4   | Evaporator                          | 1        | 15822700A00797 |
| 5.5   | Copper nut                          | 1        | 201600320002   |
| 6     | Water collector                     | 1        | 202244290014   |
| 6.1   | Louver motor (vertical)             | 1        | 11002010000546 |
| 7     | Pipe clamp board                    | 1        | 201244790047   |
| 8     | Supporter of louver                 | 1        | 201144790018   |
| 9     | Insulated axis                      | 2        | 201132590888   |
| 10    | Louver motor                        | 1        | 202400200162   |
| 11    | Volute shell (above)                | 2        | 201144790030   |
| 12    | Centrifugal fan                     | 2        | 201100100870   |
| 13    | Asynchronous motor                  | 1        | 202400300447   |
| 14    | Fan motor axes clamp (right)        | 1        | 201280200006   |
| 15    | Fan motor axes clamp (left)         | 1        | 201280200005   |
| 16    | Fan motor fixing board              | 1        | 201252490002   |
| 17    | Volute shell (below)                | 2        | 201144790029   |
| 18    | Right cover                         | 1        | 201144790017   |
| 19    | Right hook                          | 2        | 201244790033   |
| 20    | Louver                              | 1        | 201144290056   |
| 21    | Chassis assembly                    | 1        | 12222700000229 |
| 22    | Left hook                           | 2        | 201244790034   |
| 23    | Left cover                          | 1        | 201144790019   |
| 24    | Cover of electronic control box     | 1        | 201244490055   |
| 25    | Electronic control box assembly     | 1        | 17222700000538 |
| 25.1  | Electronic control box              | 1        | 201244790050   |
| 25.2  | Main control board assembly         | 1        | 17122700000635 |
| 25.3  | Wire joint                          | 1        | 202301450121   |
| 25.3  | Wire joint                          | 1        | 202301400256   |
| 25.5  | Ambient temperature sensor assembly | 1        | 202301310072   |
| 25.7  | Reactance                           | 1        | 202301000950   |
| 26    | Remote controller                   | 1        | 2033550A9167   |
| 27    | Pipe temperature sensor             | 1        | 202301300804   |
| 28    | Electronic control box assembly     | 1        | 203319900795   |
| 28.1  | Electronic control box              | 1        | 201270590340   |
| 28.2  | Inverter control board assembly     | 1        | 201319903056   |
| 28.3  | Radiator                            | 1        | 202301900138   |