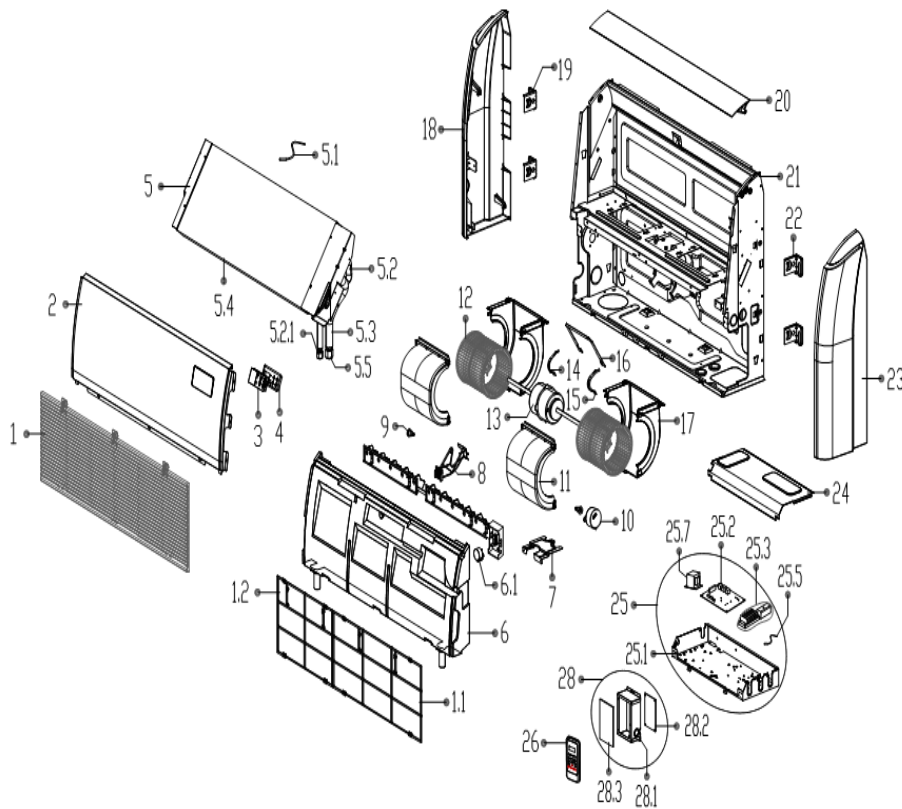


Sale Model :	FPA-24
Power Supply :	208_230V_1Ph, 60HZ



No.	Part Name	Quantity	PART #
1	Air inlet grille assembly I	1	201144290054
1.1	Air filter I	1	201144790024
1.2	Air filter II	1	201144790023
2	Top cover assembly	1	201244290052
3	Display board assembly	1	201344790040
4	Display installation box	1	201144790016
5	Evaporator assembly	1	2015442A0026
5.1	Pipe temperature sensor assembly	1	202301300111
5.1	Pipe temperature sensor assembly	1	202301300804
5.2	Input pipe assembly	1	201644290197
5.2.1	Copper nut	1	201600320001
5.3	Output pipe assembly	1	201644290196
5.4	Evaporator	1	2015442A0025
5.5	Copper nut	1	201600320003
6	Water collector	1	202244290014
6.1	Louver motor (vertical)	1	11002010000546
7	Pipe clamp board	1	201244790047
8	Supporter of louver	1	201144790018
9	Insulated axis	2	201132590888
10	Louver motor	1	202400200162
11	Volute shell (above)	2	201144690032
12	Centrifugal fan	2	201144690083
13	Asynchronous motor	1	202400300447

14	Fan motor axes clamp (right)	1	201280200006
15	Fan motor axes clamp (left)	1	201280200005
16	Fan motor fixing board	1	201252490002
17	Volute shell (below)	2	201144690033
18	Right cover	1	201144790017
19	Right hook	2	201244790033
20	Louver	1	201144290056
21	Chassis assembly	1	201244290053
22	Left hook	2	201244790034
23	Left cover	1	201144790019
24	Cover of electronic control box	1	201244490055
25	Electronic control box assembly	1	203344290040
25.1	Electronic control box	1	201244790050
25.2	Main control board assembly	1	201344290072
25.3	Wire joint	1	202301400488
25.3	Wire joint	1	202301450121
25.5	Ambient temperature sensor assembly	1	202301310072
25.7	Reactance	1	202301000950
26	Remote controller	1	2033550A9167
28	Electronic control box assembly	1	203319900795
28.1	Electronic control box	1	201270590340
28.2	Inverter control board assembly	1	201319903056
28.3	Radiator	1	202301900138