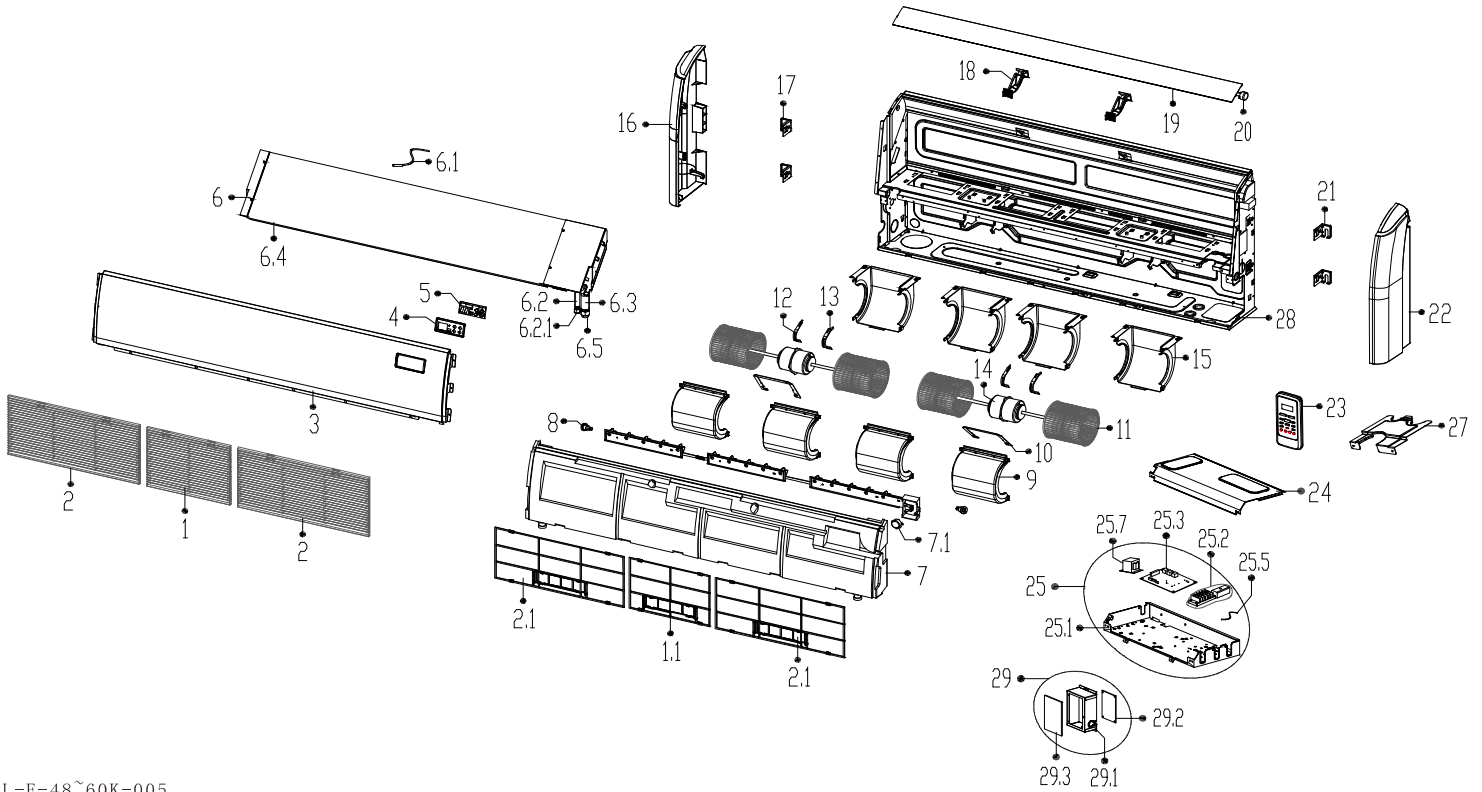


ComfortStar Model Number: FPA-60DU

Power Supply: 208-230V/1Ph/60HZ

ComfortStar®



DL-E-48~60K-005

No.	Part Name	Quantity	PART#
1	Grille 1	1	A44790014
1.1	Air Filter 1	1	A44790023
2	Grille 2	2	A44790015
2.1	Air Filter 2	1	A44790024
3	Top Cover	1	B44790048
4	Display Installation Box	1	A44790016
5	Display Board Subassembly	1	C44790040
6	Evaporator Assembly	1	15822700A02395
6.1	Pipe Temperature Sensor	1	M01300111
6.2	Evaporator Inlet Pipe Subassembly	1	F44790211
6.2.1	Copper Nut	1	F00320001
6.3	Evaporator Outlet Pipe Subassembly	1	F44690267
6.4	Evaporator	1	15822700A00716
7	Water Collector Subassembly	1	L44790001
7.1	Stepper Motor 1	1	11002010000546
8	Insulated Axis	2	A32590888
9	Volute Shell (Above)	4	A44790030
10	Fan Motor Fixing Board	2	B52490002
11	Plastic Fan	4	A00100870
12	Fan Motor Axes Clamp (Right)	2	B80200006
13	Fan Motor Axes Clamp (Left)	2	B80200005
14	Brushless Dc Motor	2	11002015002521
15	Volute Shell (Below)	4	A44790029
16	Cover 1	1	A44790017
17	Right Hook	2	B44790033
18	Supporter Of Louver	2	A44790018

19	Louver Subassembly	1	A44790006
20	Stepper Motor 2	1	N00200162
21	Left Hook	2	B44790034
22	Cover 2	1	A44790019
23	Remote Controller	1	17317000A16345
24	Cover Of Electronic Control Box Subassembly	1	B44490055
25	Electronic Control Box Subassembly	1	17222700001416
25.1	Electronic Control Box	1	B44790050
25.3	Main Control Board Subassembly	1	17122700001435
25.5	Room Temperature Sensor	1	M01310072
25.7	Reactor	1	M01000950
27	Display Board Installation Support	1	B44790047
28	Chassis Assembly	1	12222700000228
29	Electronic Control Box Subassembly for Fan	2	W19900816
29.1	Electronic Control Box for Fan	1	B70590340
29.2	Inverter Module Subassembly	1	C19903161
29.3	Radiator	1	M01900138
40	Bracket Of Remote Controller	1	A550A3109