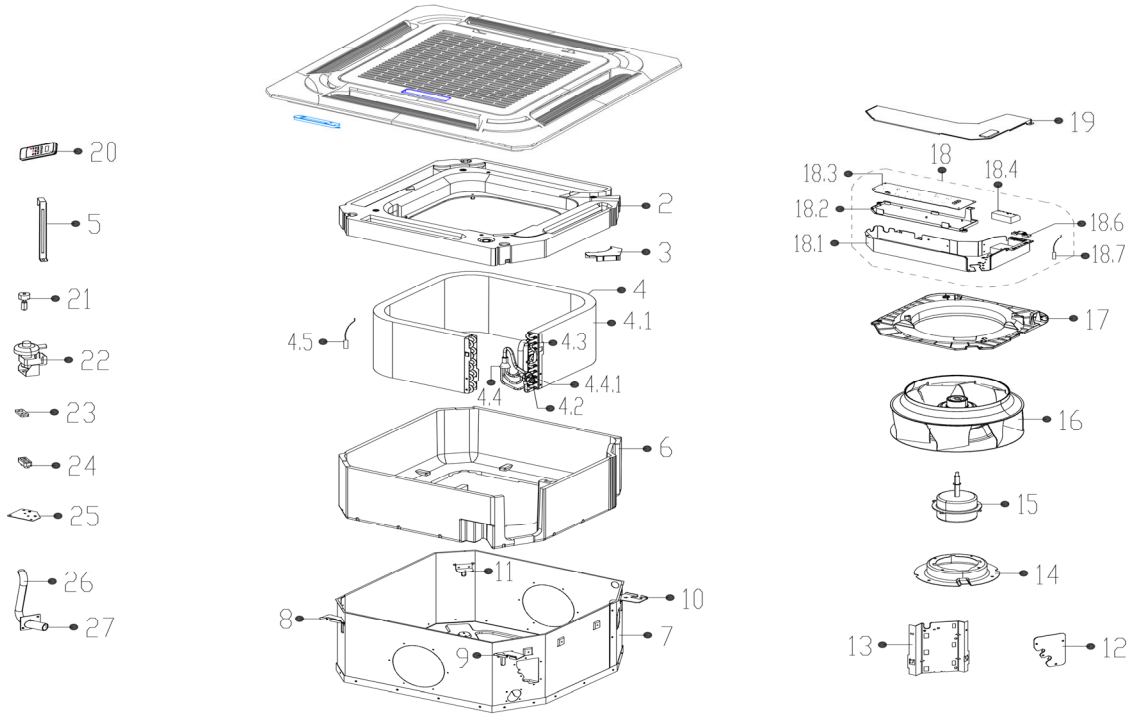


ComfortStar Model Number: TPA-09
Power Supply: 208-230V/60Hz/1Ph

Alegria Platinum- Light Commercial - Cassette Units.



| No. | Part Name | Quantity | PART# |
|-------|------------------------------------|----------|----------------|
| 2 | Water Collector Assembly | 1 | L42490004 |
| 3 | Wire Box | 1 | A42490001 |
| 4 | Evaporator Assembly | 1 | 15822500A01883 |
| 4.1 | Evaporator | 1 | 15822500A01263 |
| 4.2 | Copper Nut 3/8 | 1 | F00320001 |
| 4.3 | Evaporator Outlet Pipe Subassembly | 1 | F52390024 |
| 4.4 | Evaporator Inlet Pipe Subassembly | 1 | F42390016 |
| 4.4.1 | Copper Nut 1/4 | 1 | F00320000 |
| 4.5 | Pipe Temperature Sensor | 1 | M01300226 |
| 5 | Evaporator Fixing Hanger | 1 | B42490009 |
| 6 | Base Foam Subassembly | 1 | L42490001 |
| 7 | Chassis Assembly | 1 | B42390003 |
| 8 | Hook 1 | 1 | B80490483 |
| 9 | Hook 2 | 1 | B80490482 |
| 10 | Hook 3 | 1 | B80490485 |
| 11 | Hook 4 | 1 | B80490484 |
| 12 | Pipe Fixing Board Subassembly | 1 | A42390001 |
| 13 | Evaporator Connecting Board | 1 | B42490006 |
| 14 | Fan Motor Base | 1 | B42490008 |
| 15 | Brushless Dc Motor | 1 | N00310120 |
| 16 | Centrifuge Fan | 1 | A00100855 |
| 17 | Ventilation Ring | 1 | A42490002 |
| 18 | Electronic Control Box Subassembly | 1 | 17222500A01899 |
| 18.1 | Electronic Control Box | 1 | B42490005 |
| 18.2 | Insulation Plate | 1 | A42490005 |
| 18.3 | Main Control Board Subassembly | 1 | 17122500A01429 |
| 18.4 | Wire Joint | 1 | M01400256 |
| 18.6 | Clip | 1 | B42800082 |
| 18.7 | Room Temperature Sensor | 1 | M01300836 |
| 19 | Control Box Cover | 1 | B42490007 |
| 20 | Remote Controller | 1 | 17317000A16345 |
| 21 | Water Level Switch | 1 | M01801048 |
| 22 | Induction Pump | 1 | N00600840 |
| 23 | Drain Pump Rubber Washer 1 | 1 | Q42490001 |
| 24 | Drain Pump Rubber Washer 2 | 1 | Q42000405 |
| 25 | Drain Pump Installation Base | 1 | B42490002 |
| 26 | Rubber Tube | 1 | Q42390002 |
| 27 | Drain Pipe | 1 | A42400018 |
| 38 | Bracket Of Remote Controller | 1 | A550A3109 |
| 43 | Accessory Kit | 1 | R80490003 |