

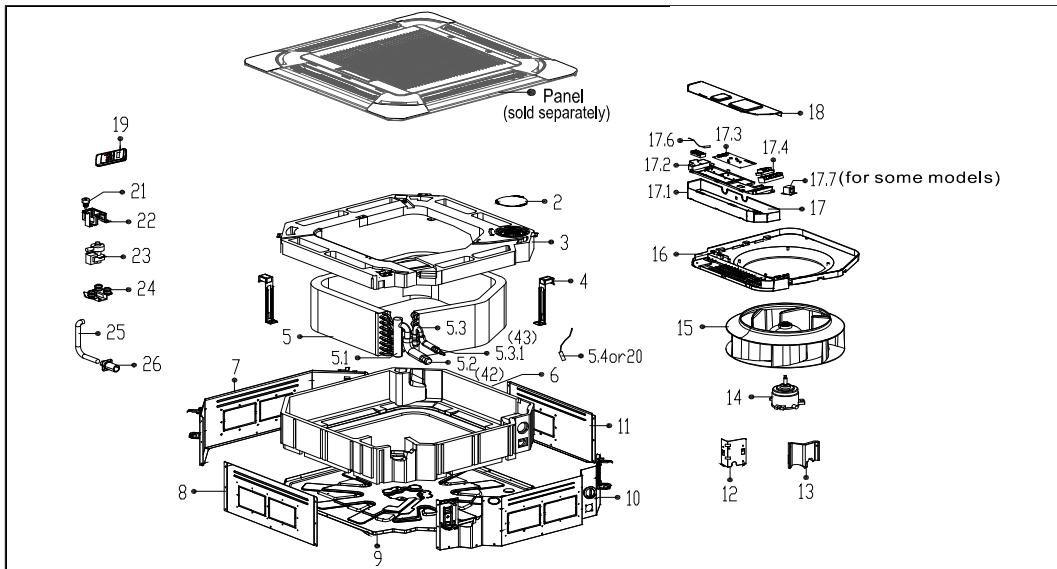
Comfortstar Model :

TPA-36DU

Power Supply :

208-230V/1Ph/60HZ

ComfortStar®



No.	Part Name	Quantity	BOM Code	Remark1	Remark2
2	Cover subassembly	1	12122500000025		
3	Water collector subassembly	1	128225000000310		
4	Evaporator fixing hanger	2	122225000000089		
5	Evaporator assembly	1	15822500A03128		
5.1	Evaporator outlet pipe subassembly	1.0	151225000000232		
5.3	Evaporator inlet pipe subassembly	1.0	151225000000346		
5.3.1	Copper nut	1.0	155004060000010		
6	Base foam subassembly	1	128225000000015		
7	coaming	1	122225000000144		
8	coaming	1	122225000000230		
9	Chassis	1	122225000000122		
10	coaming subassembly	1	122225000000137		
11	coaming	1	122225000000241		
12	Evaporator fixing board subassembly	1	122225000000105		
13	Pipe fixing board subassembly	1	121225000000331		
14	Brushless DC Motor	1	110020150000281		
15	centrifuge fan	1	121001030000096		
16	Ventilation ring	1	121225000000420		
17	Electronic control box subassembly	1	172225000000322		
17.1	Electronic control box	1.0	122225000000119		
17.2	Insulation plate	1.0	121225000000029		
17.3	Main control board subassembly	1.0	171225000000697		
17.4	Terminal	1.0	174004010000075		
17.6	Room temperature sensor	1.0	112010070000283		
17.7	Reactor	1.0	174003060000070		
18	Electrical Control Box Cover Subassembly	1	122225000000162		
19	Remote controller	1	17317000A16345		
20	Pipe temperature sensor	1	112010070000136		
20	Pipe temperature sensor	1	112010070000266		
21	Water level sensor	1	112010050000006		
22	water pump installation support	1	1212250000001147		
23	Water pump subassembly	1	174008020000012		
24	Drain pump rubber washer	3	126225000000006		
25	Drain pipe	1	126225000000013		
26	Water pipe	1	121005090000068		
36	Bracket of remote Controller	1	12117000A00041		
42	Copper nut	1	155004060000003		