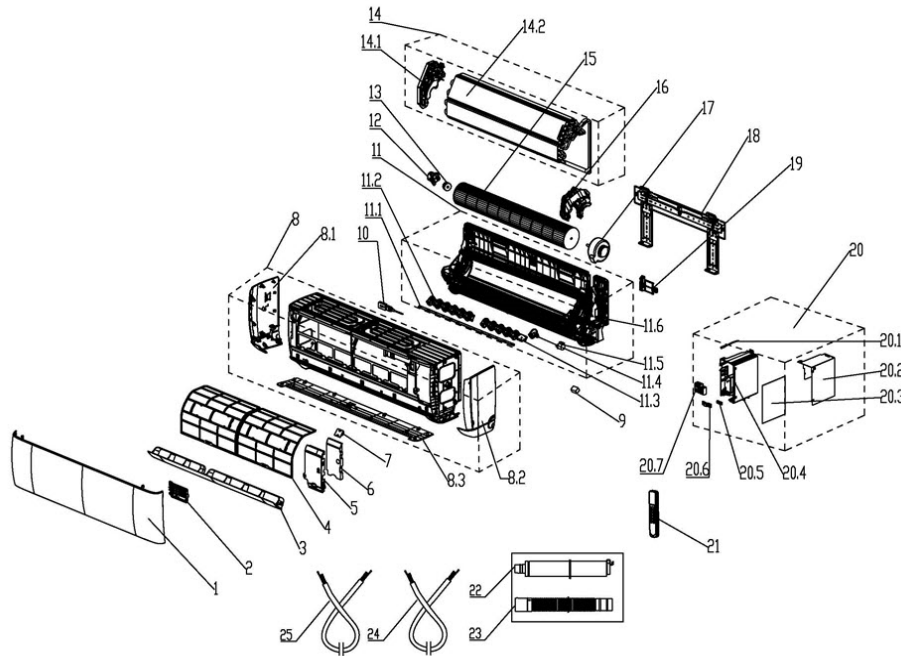


RAC Exploded View

Model name: CJE12CA(I)
Power Supply: 115V/1Ph/60HZ

ComfortStar®



No	Part Name	Quantity	BOM Code
1	panel	1	13220598003024
2	display board	1	11222014000650
3	air louver (Horizontal)	1	11320005000357
4	filter	2	11220508000150
8	medium frame assembly	1	11220501000776
8.1	left cover	1	11320078000155
8.2	right cover	1	11320078000156
11	chassis assembly	1	11220500000288
14	Evaporator assembly	1	13224003001785
14.1	evaporator left side carriage	1	11320015000143
14.2	Evaporator assembly	1	11224009000401
14.3	Evaporator assembly	1	11224009000400
15	cross flow fan	1	11220513000068
16	motor cover	1	11320052000047
17	IDU fan motor	1	11230003000171
18	mounting plate assembly	1	11321003000028
19	pipe clamp	1	11320084000013
20	Main controller	1	11222003002942
20.1	temperature sensor	1	11329013000103
20.2	control box cover	1	11321101000001
20.3	Main control board	1	11222009003591
21	Remote controller	1	13222041000007
22	water flow tube assembly	1	11220506000009
23	water hosepipe	1	11320020000008
24	power cable	1	11330021000980