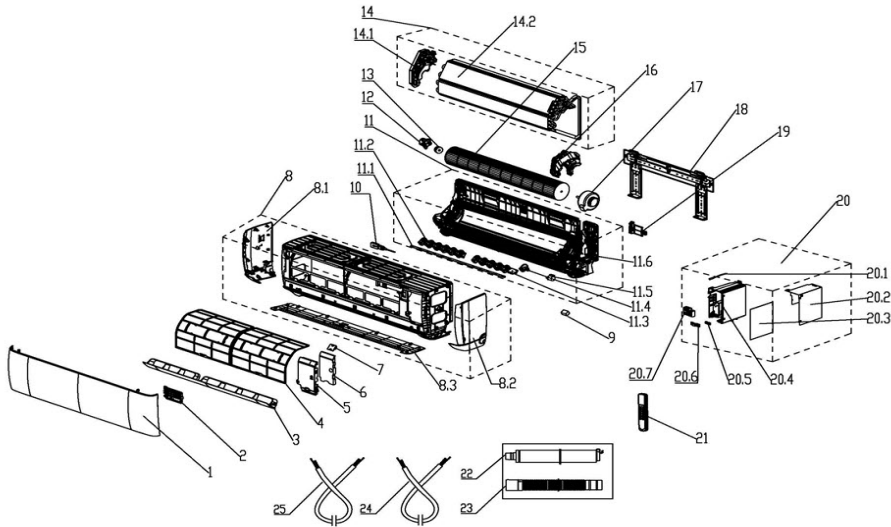


# RAC Exploded View

Model name: CBP12CD(I)  
 Power Supply: 208-230V/1Ph/60HZ

ComfortStar®



Part num	Part Name	Quantity	BOM Code
1	panel	1	13220598002955
2	display board	1	11222014000540
3	air louver (Horizontal)	1	11320005000357
4	filter	2	11220508000150
5	medium frame wiring cover	1	11320076000104
6	medium frame wiring cover fireboard	1	11321086000001
7	Screw cover	1	11320096000101
8	medium frame assembly	1	11220501000776
8.1	left cover	1	11320078000155
8.2	right cover	1	11320078000156
8.3	decorative board of medium frame	1	11320088000036
11	chassis assembly	1	11220500000288
11.1	swing connecting rod	1	11320085000107
11.2	left air blade	1	11320017000159
11.3	right air blade	1	11320017000160
11.4	main air blade	1	11320017000157
11.5	air louver step motor	1	11230002000058
11.6	chassis	1	11320001000266
12	bearing fixed chassis	1	11320062000028
13	bearing assembly	1	11220551000003
14	Evaporator assembly	1	13224003002011
14.1	evaporator left side carriage	1	11320015000143
14.2	Evaporator assembly	1	13224009000114
14.2	Evaporator assembly	1	13224009000115
15	cross flow fan	1	11220513000068
16	motor cover	1	11320052000047
17	IDU fan motor	1	11230003000141
18	mounting plate assembly	1	11321003000028
19	pipe clamp	1	11320084000013
20	Main controller	1	11222003003315
20.1	temperature sensor	1	11329013000103
20.2	control box cover	1	11321101000001
20.3	Main control board	1	11222009003619
20.4	control box	1	11320057000109
20.7	terminal board	1	11330037000184
21	Remote controller	1	13222041000007
22	water flow tube assembly	1	11220506000009
23	water hosepipe	1	11320020000008
24	power cable	1	11330021000980