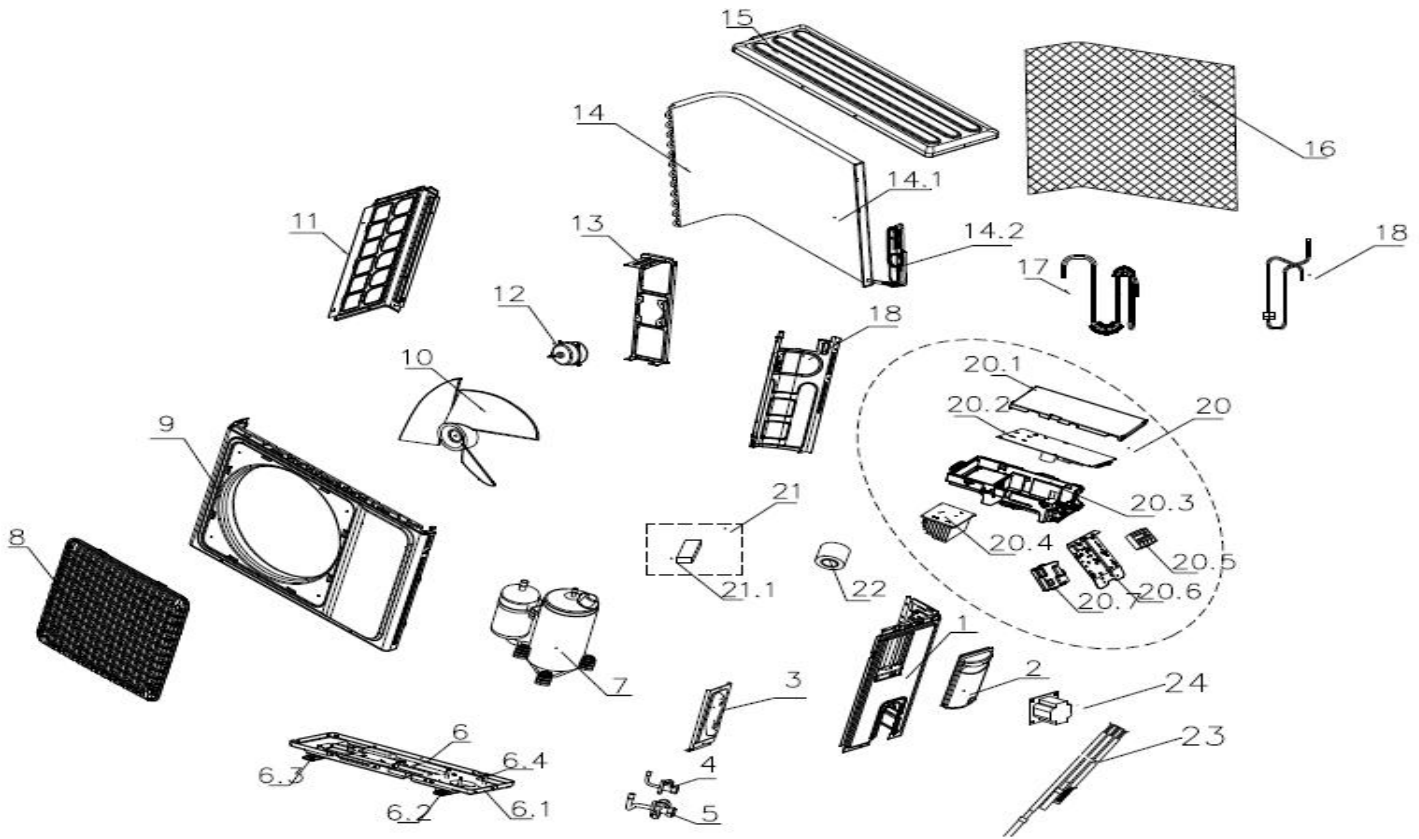


RAC Exploded View

Model name: CBP12CD(O)
Power Supply: 208-230V/1Ph/60HZ

ComfortStar®



numbe	Part Name	Quantity	BOM Code
1	right side board	1	11321007000287
2	E-parts cover	1	11321008000014
3	valve plate	1	11321031000027
4	stop valve	1	11325042000030
5	stop valve	1	11225517000006
6	Chassis assembly	1	11221502000461
6.1	chassis	1	11321014000144
6.2	base footing	2	11321023000012
6.4	Screw Bolt	3	14731005000063
7	compressor	1	11223004000037
8	panel grille	1	11321022000241
9	panel	1	11321005000115
10	axial flow fan	1	11320009000049
11	left side board	1	11321006000108
12	motor	1	11230005000002
13	motor support	1	11321002000039

14	Condenser assembly	1	13224004002017
14.1	condenser assembly	1	13224006000471
14.2	Capillary assembly	1	11225506001969
15	top cover	1	11321009000033
16	Cardboard	1	11332009000044
17	suction pipe assembly	1	11225504000944
18	discharge pipe assembly	1	11225505001044
19	partition board	1	11321025000048
20	Main controller	1	11222004001115
20.1	control box cover	1	11320058000082
20.2	Main control board	1	11222031001222
20.3	control box	1	11320057000102
20.5	terminal board	1	11330037000157
20.6	E-parts bracket	1	11321015000068
21	Accessories	1	11219005000166
21.1	putty	1	14618079000002
22	tape	1	11320022000016
23	temperature sensor	1	11329013000105
24	reactor	1	11330034000008