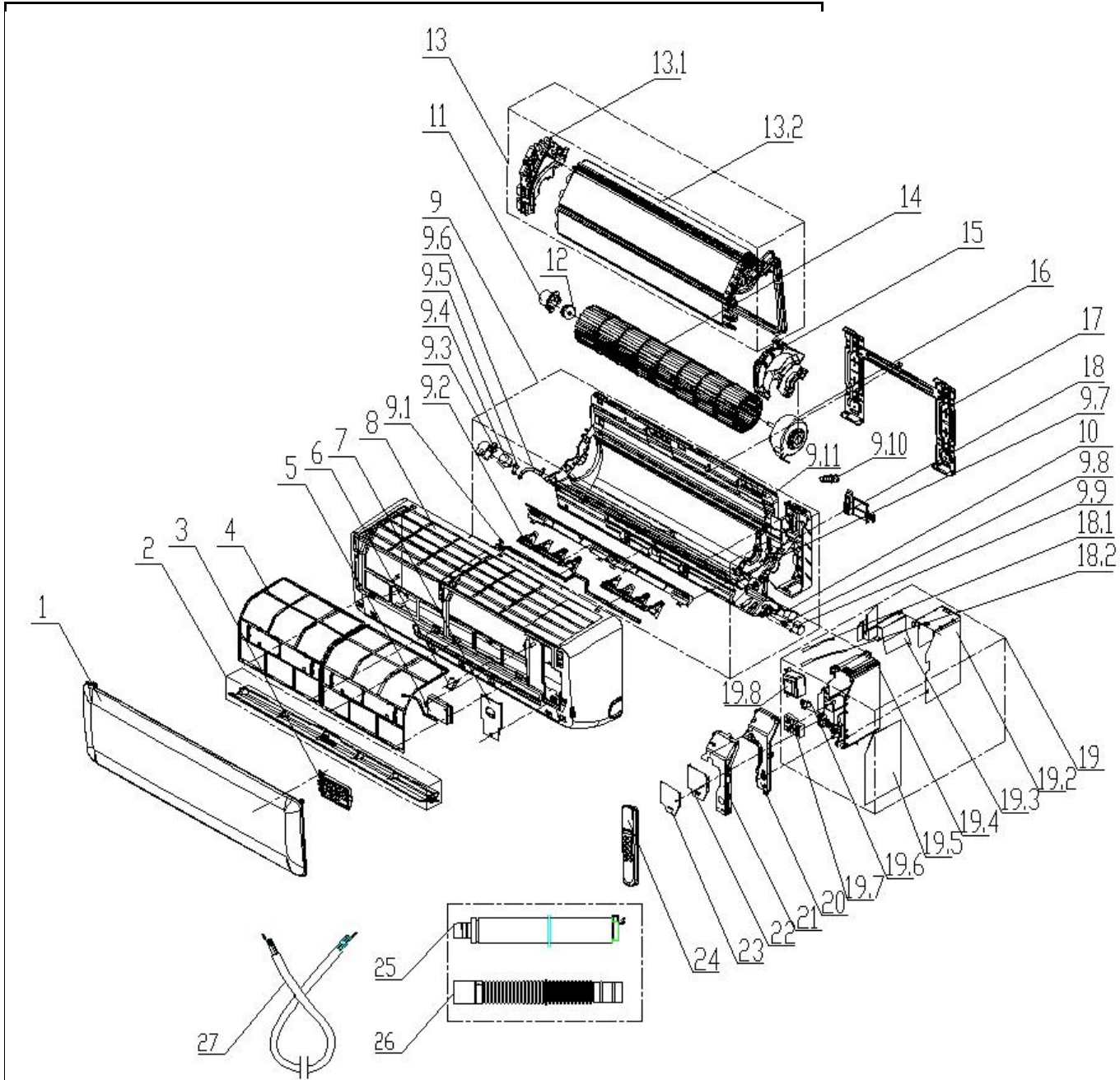


Model name:
Power Supply:

CDD12CD(I)/CSA12CD(I)
208-230V/1Ph/60HZ

ComfortStar®



No.	Part Name	Quantity	BOM Code
1	panel	1	13320003007068
2	air louver (Horizontal)	1	11320005000381
3	display board	1	11222014000650
4	filter	2	11220508000139
8	medium frame	1	11220501000950

9	chassis assembly	1	11220500000214
9.7	volute	1	11320135000018
9.8	step motor shaft sleeve	1	11320079000016
9.9	air louver step motor	1	11230002000086
9.11	chassis	1	11220500000214
13	Evaporator assembly	1	13224003001348
13.1	evaporator left side carriage	1	11321007000317
14	cross flow fan	1	11220513000065
15	motor cover	1	11320052000044
16	IDU fan motor	1	11230003000141
17	mounting plate assembly	1	11221500000034
18	pipe clamp	1	11320084000013
19	Main controller	1	13222002000507
19.1	temperature sensor	1	11329013000103
19.4	control box	1	11320057000082
19.5	Main control board	1	11222009003737
19.7	terminal board	1	11330037000141
20	control box cover	1	11320058000067
24	Remote controller	1	13222041000007
25	drain pipe	1	11220506000002
26	drain hose	1	11320020000008
27	power cable	1	11330021000345