

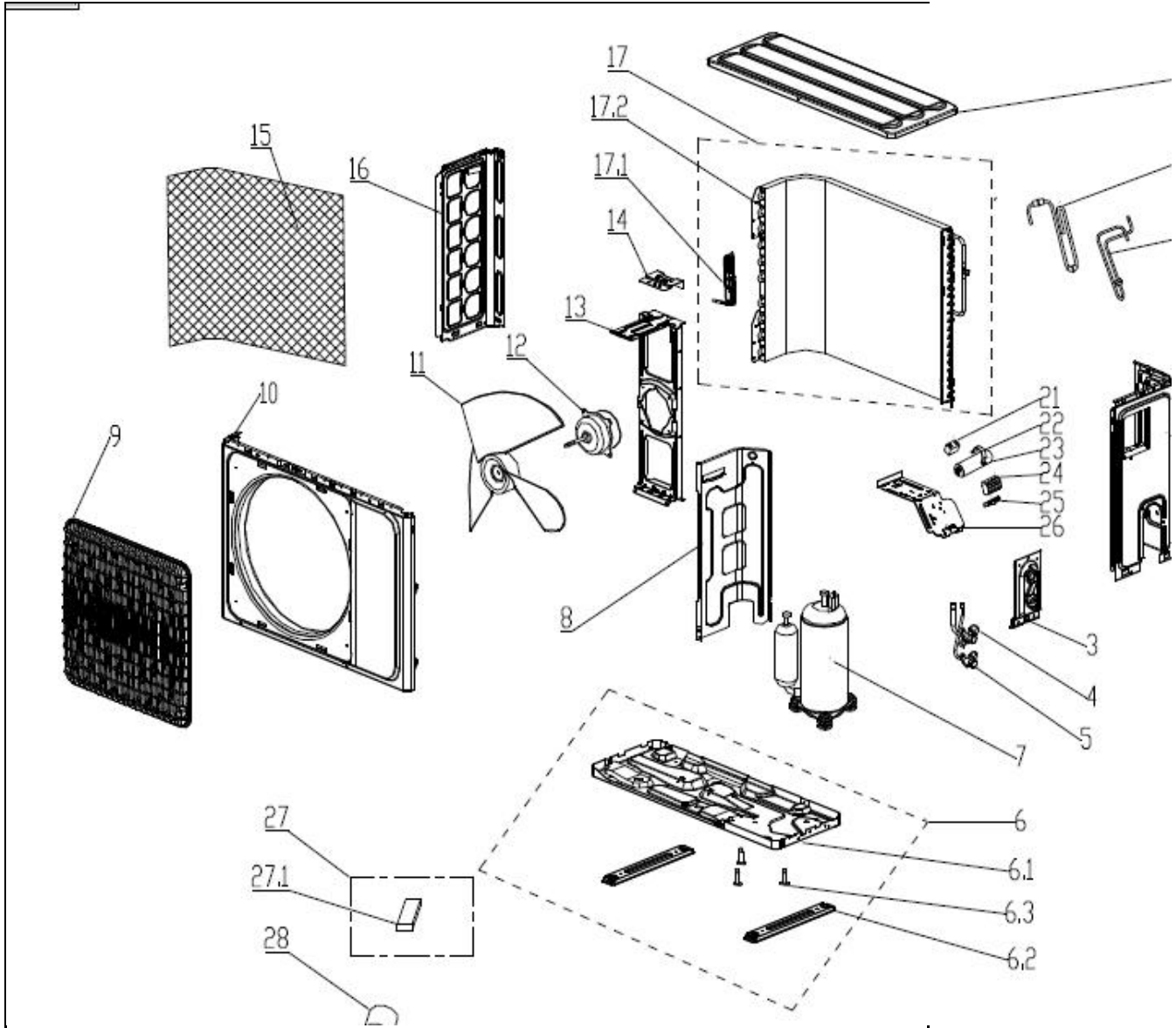
Model name:

CDD12CD(O)/CSA12CD(O)

ComfortSi

Power Supply:

208-230V/1Ph/60HZ



No.	Part Name	Quantity	BOM Code
1	right side board	1	11321157000029
2	E-parts cover	1	11320068000009
3	valve plate	1	11321031000027
4	stop valve	1	11325042000030
5	stop valve	1	11325042000015

6	Chassis assembly	1	11221502000527
7	compressor assembly	1	11223003000262
9	panel grille	1	11320026000038
10	panel	1	11321005000091
11	axial flow fan	1	11320009000049
12	motor	1	11230004000427
13	motor support	1	11321002000035
15	rear grille	1	11332009000040
16	left side board	1	11321156000004
17	Condenser assembly	1	13224004002199
17.1	condenser assembly	1	11224006000483
17.2	Capillary assembly	1	11225506001736
18	top cover	1	11321009000033
19	suction pipe assembly	1	11225504000658
20	discharge pipe assembly	1	11225505000783
21	Fan motor capacitor	1	11330010000054
23	Compressor capacitor	1	11330009000087
24	terminal board	1	11330037000127
26	E-parts bracket	1	11321015000049
27	accessories	1	11219005000166
27.1	putty	1	14618079000002
28	plastic tie	1	11320022000019

tar®

18

19

20

