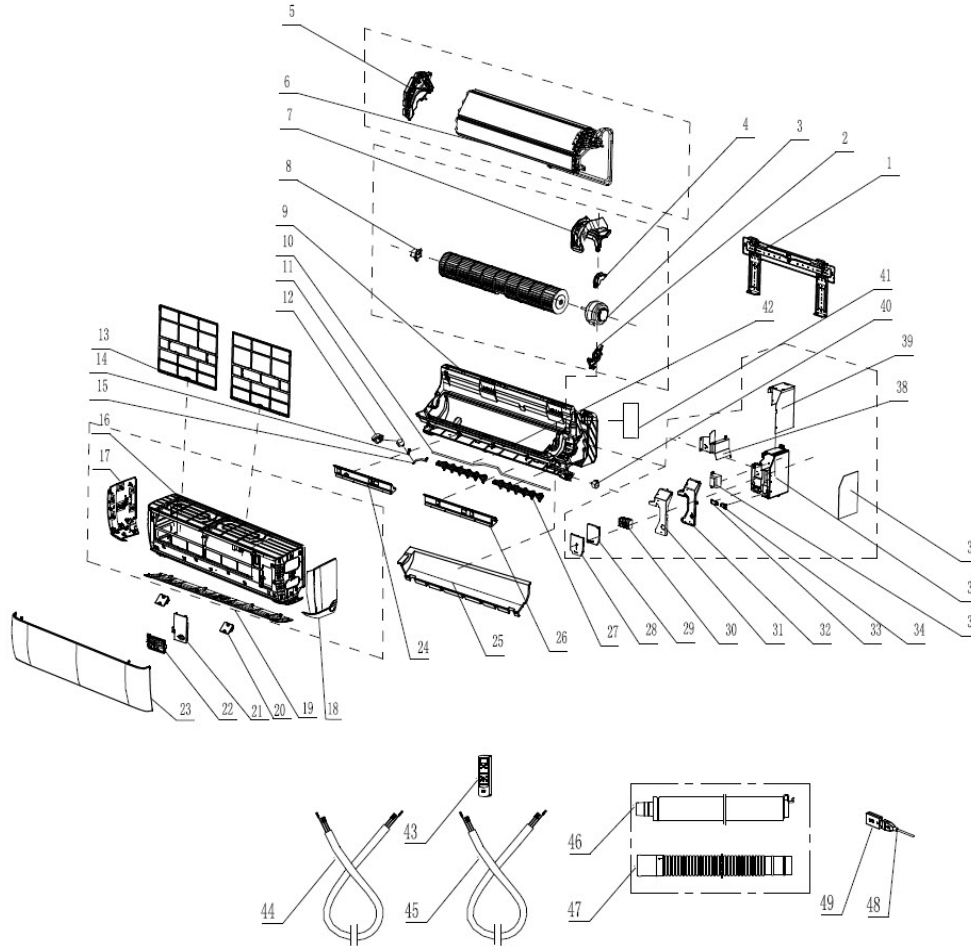


# RAC Exploded View

**Model name:** CBP18CD(I)  
**Power Supply:** 208-230V/1Ph/60HZ

**ComfortStar®**



| No. | Part Name                     | Quantity | BOM Code       |
|-----|-------------------------------|----------|----------------|
| 3   | indoor fan motor              | 1        | 11230005000013 |
| 5   | evaporator left side carriage | 1        | 11320015000138 |
| 6   | evaporator assembly           | 1        | 13224003001256 |
| 7   | motor cover                   | 1        | 11320052000043 |
| 8   | bearing assembly              | 1        | 11220551000003 |
| 16  | medium frame                  | 1        | 11320002000291 |
| 18  | right end cover               | 1        | 11320078000158 |
| 20  | screw cover                   | 2        | 11320096000101 |
| 21  | medium frame wiring cover     | 1        | 11320076000105 |
| 22  | display board assembly        | 1        | 11222014000608 |
| 23  | panel                         | 1        | 13220598002957 |
| 30  | terminal board                | 1        | 11330037000184 |

|    |                   |   |                |
|----|-------------------|---|----------------|
| 36 | controller box    | 1 | 11320057000083 |
| 37 | Main controller   | 1 | 11222003003343 |
| 40 | step motor        | 1 | 11230002000152 |
| 43 | Remote controller | 1 | 13222041000007 |
| 46 | drain pipe        | 1 | 11220506000009 |
| 47 | drain hose        | 1 | 11320020000008 |
| 50 | cross flow fan    | 1 | 11220513000066 |