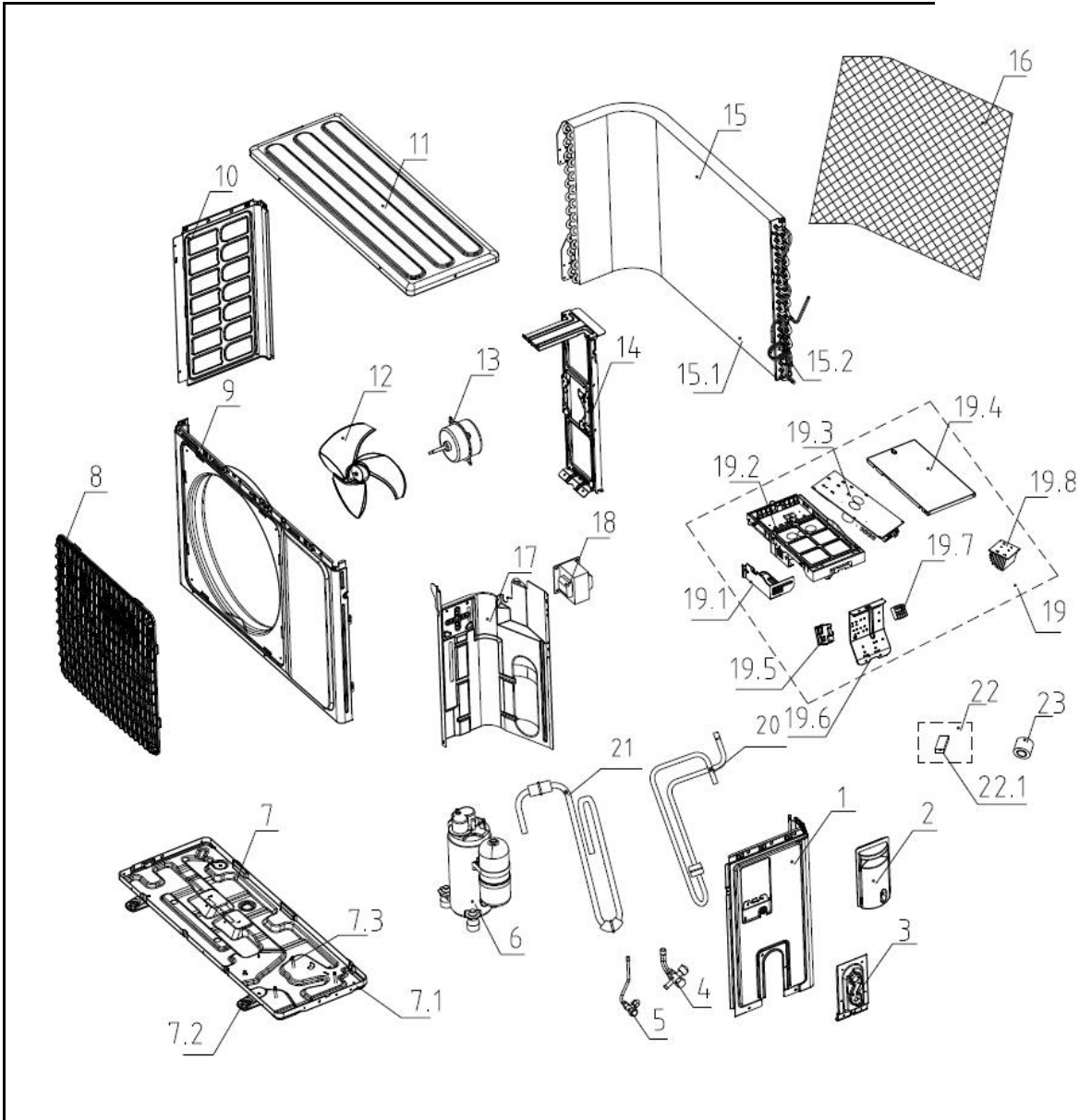


## RAC Exploded View

Model name: CBP18CD(O)  
 Power Supply: 208-230V/1Ph/60HZ

**ComfortStar®**



No.	Part Name	Quantity	BOM Code
1	right side panel	1	11321007000291
2	E-parts cover	1	11321008000014
3	valve plate	1	11321031000027
4	stop valve	1	11325042000030
5	stop valve	1	11225517000036

6	Compressor assembly	1	11223003000331
7	Chassis assembly	1	11221502000464
7.1	chassis	1	11321014000145
7.2	base footing	2	11321023000019
7.3	Bolt screw	3	14731005000042
8	panel grille	1	11321022000215
9	panel	1	11321005000117
10	left side board	1	11321006000113
11	top cover	1	11321009000057
12	axial flow fan	1	11320009000063
13	motor	1	11230005000012
14	motor support	1	11321002000040
15	Condenser assembly	1	13224004002313
15.1	condenser assembly	1	13224006000480
15.2	capillary assembly	1	11225506001900
16	rear grille	1	11332009000046
17	partition board	1	11321025000059
18	reactor	1	11330034000020
19	Main controller	1	11222004001004
19.2	control box	1	11320057000102
19.3	PCB	1	11222031001081
19.4	control box cover	1	11320058000082
19.6	E-parts bracket	1	11321015000071
19.7	terminal board	1	11330037000157
19.8	radiator	1	11329031000031
20	discharge pipe assembly	1	11325020001652
21	suction pipe assembly	1	11225504000623
22	Accessories	1	11219005000166
22.1	putty	1	14618079000002
23	plastic tie	1	11320022000016