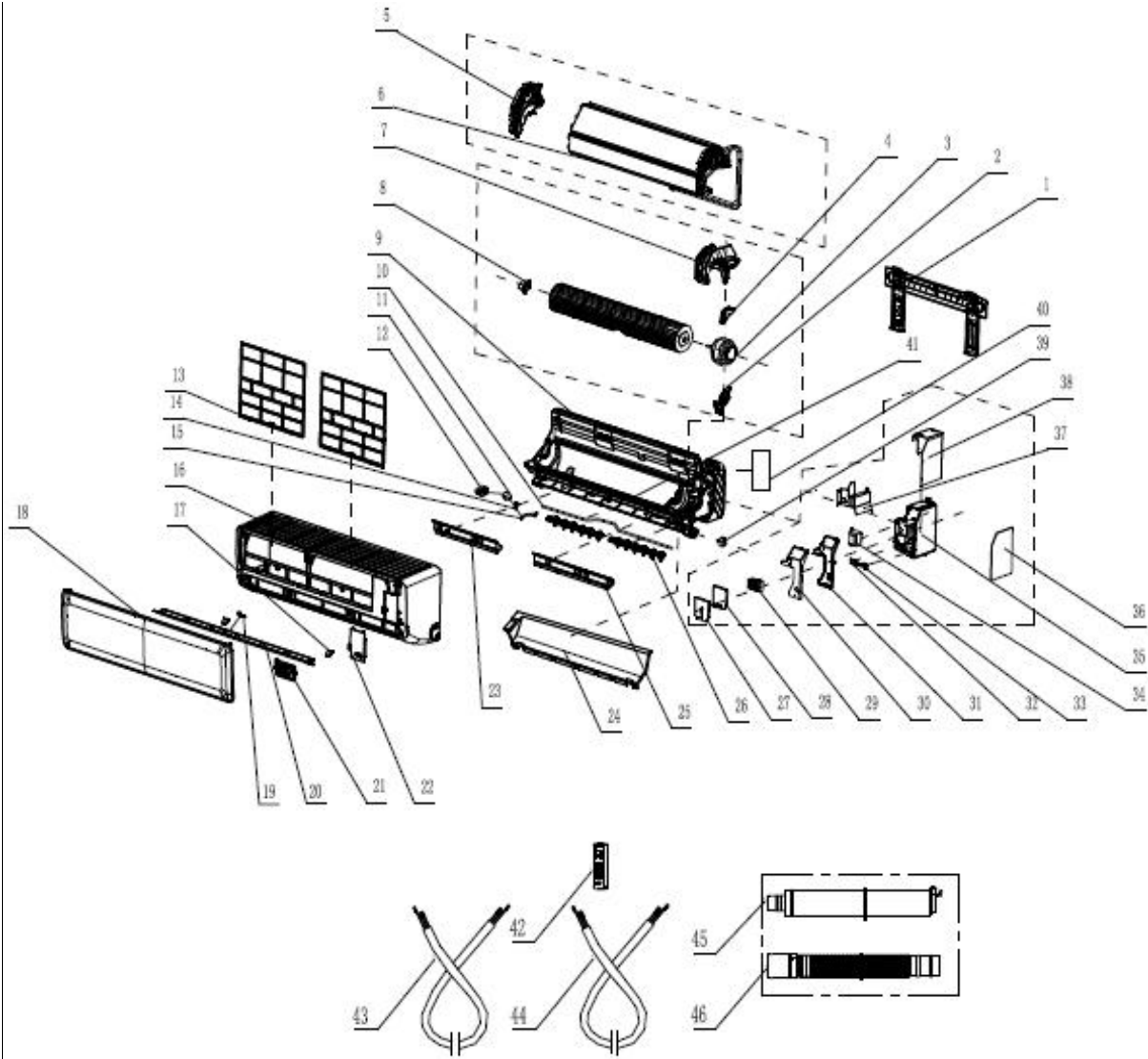


Model name:
Power Supply:

CDD18CD(I)/CSA18CD(I)
208-230V/1Ph/60HZ

ComfortStar®



No.	Part Name	Quantity	BOM Code
1	panel	1	13320003007067
2	air louver assembly	1	11320005000379
3	display board	1	11222014000650
4	healthy anti-bacterial filter	2	11220508000136
5	medium frame wiring cover	1	11320076000063
6	screw cover	2	11320096000105
7	medium frame	1	11320002000306

8	chassis assembly	1	11220500000166
8.1	swing blade	2	11320017000118
8.2	air louver	1	11320135000016
8.3	shaft sleeve	1	11320079000010
8.4	chassis	1	11320001000217
8.5	step motor shaft sleeve	1	11320079000013
8.6	step motor	1	11230002000071
9	bearing fixed chassis	1	11320062000028
10	bearing assembly	1	11220551000003
11	evaporator assembly	1	13224003002068
11.1	evaporator left side carriage	1	11320015000113
11.2	evaporator assembly	1	11224009000200
11.2	evaporator assembly	1	11224009000199
12	cross flow fan	1	11220513000066
13	motor cover	1	11320052000032
14	breakwater	1	11320065000028
15	indoor fan motor	1	11230003000144
16	mounting plate assembly	1	11321003000028
17	pipe clamp	1	11320084000015
18	main controller	1	13222002000403
18.2	controller box	1	11320057000093
18.4	power wire clamp	1	11320049000007
18.5	terminal board	1	11330037000028
20	power wire cable clamp	1	11320010000037
22	anion	1	11330016000018
23	remote controller	1	13222041000007
24	power cable	1	11330021000707
25	drain pipe	1	11220506000009
26	drain hose	1	11320020000008