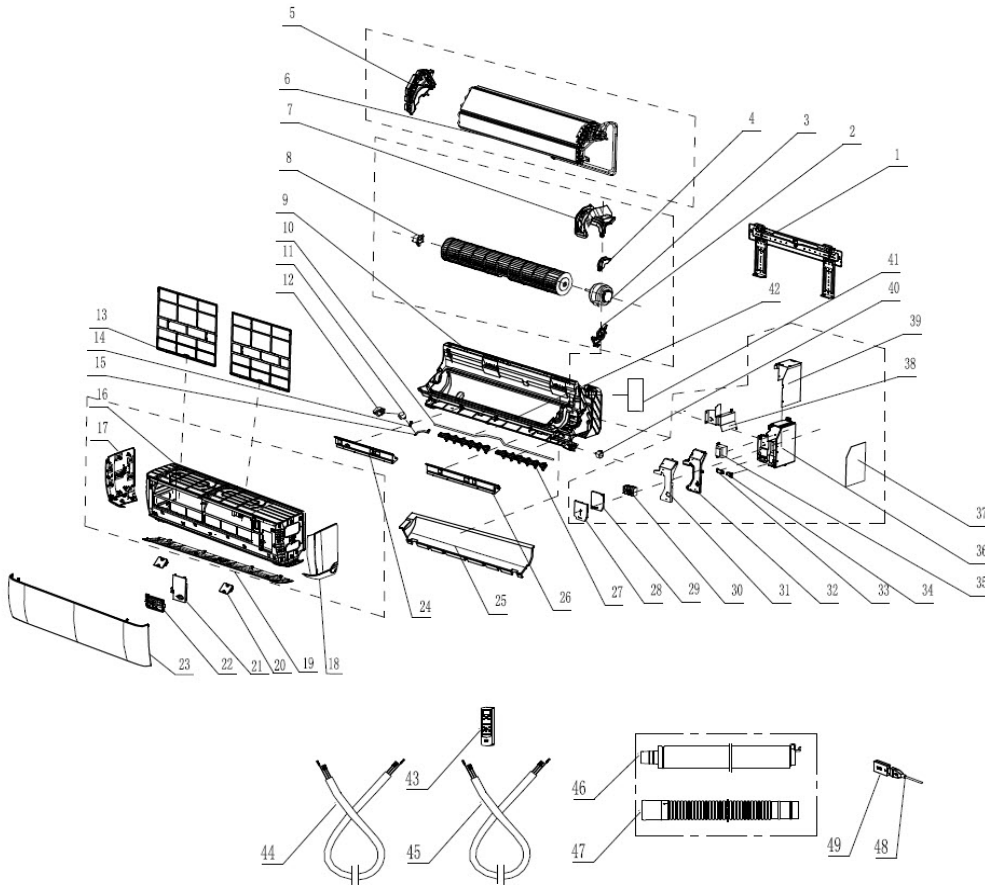


RAC Exploded View

Model name: CJE18CD(I)
Power Supply: 208-230V/1Ph/60HZ

ComfortStar®



| No | Part Name | Quantity | BOM Code |
|----|----------------------------------|----------|----------------|
| 1 | mounting plate assembly | 1 | 11321003000028 |
| 3 | indoor fan motor | 1 | 11230003000144 |
| 5 | evaporator left side carriage | 1 | 11320015000138 |
| 6 | evaporator assembly | 1 | 13224003001256 |
| 7 | motor cover | 1 | 11320052000043 |
| 8 | bearing assembly | 1 | 11220551000003 |
| 9 | chassis | 1 | 11320001000267 |
| 10 | airflow vanes connecting pole | 1 | 11320085000104 |
| 13 | filter | 2 | 11220508000147 |
| 16 | medium frame | 1 | 11320002000291 |
| 17 | left cover | 1 | 11320078000157 |
| 18 | right cover | 1 | 11320078000158 |
| 19 | decorative board of medium frame | 1 | 11320088000037 |
| 20 | Screw cover | 2 | 11320096000101 |
| 21 | medium frame wiring cover | 1 | 11320076000105 |
| 22 | display board | 1 | 11222014000650 |
| 23 | panel | 1 | 13220598002973 |
| 24 | chassis foam B | 1 | 11328030000012 |

| | | | |
|----|--|---|----------------|
| 25 | chassis foam A | 1 | 11328030000013 |
| 26 | chassis foam D | 1 | 11328030000014 |
| 27 | left-right swing blade | 2 | 11320017000153 |
| 29 | cover of electric controller box | 1 | 11320058000068 |
| 30 | terminal board | 1 | 11330037000184 |
| 31 | cover of electric controller box sheet-metal | 1 | 11321020000038 |
| 33 | wire clamp | 1 | 11320010000046 |
| 36 | controller box | 1 | 11320057000083 |
| 37 | main PCB | 1 | 11222009003973 |
| 40 | step motor | 1 | 11230002000152 |
| 41 | pipe clamp | 1 | 11320084000014 |
| 42 | volute | 1 | 11320135000024 |
| 43 | Remote controller | 1 | 13222041000007 |
| 46 | water flow tube assembly | 1 | 11220506000009 |
| 47 | water hosepipe | 1 | 11320020000008 |
| 50 | power cable | 1 | 11220513000066 |