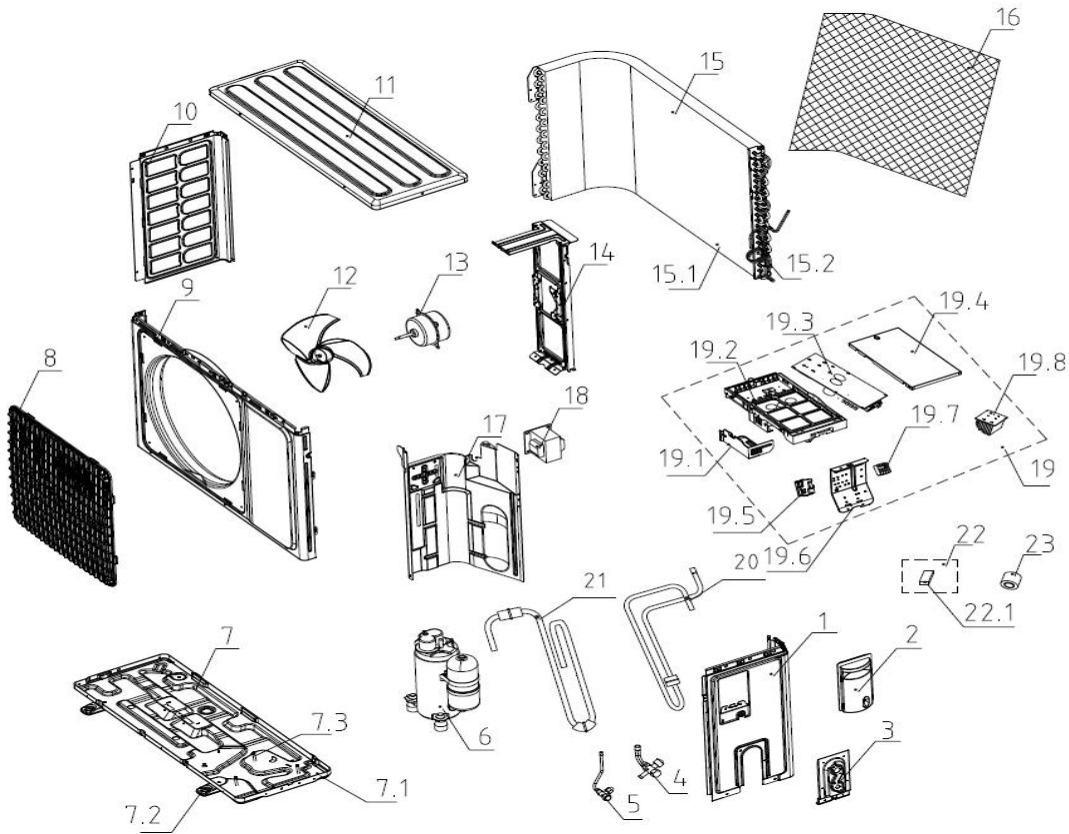


## RAC Exploded View

Model name: CJE18CD(O)  
 Power Supply: 208-230V/1Ph/60HZ

**ComfortStar®**



No	Part Name	Quantity	BOM Code
1	right side board	1	11321007000291
2	E-parts cover	1	11321008000014
3	valve plate	1	11321031000027
4	stop valve	1	11325042000030
5	stop valve	1	11225517000036
6	compressor	1	112230030000292
7	Chassis assembly	1	112215020000464
7.1	chassis	1	11321014000145
8	panel grille	1	113210220000215
9	panel	1	11321005000117
10	left side board	1	11321006000113
11	top cover	1	113210090000057
12	axial flow fan	1	113200090000063
13	motor	1	11230005000012
14	motor support	1	113210020000040
15	Condenser assembly	1	13224004001161
15.2	capillary assembly	1	11225506001798
16	Cardboard	1	113320090000046
17	partition board	1	113210250000059

18	reactor	1	11330034000020
19	Main controller	1	11222004000523
19.2	control box	1	11320057000069
19.3	PCB	1	11222031001091
19.4	control box cover	1	11320058000057
19.6	E-parts bracket	1	11321015000071
19.8	terminal board	1	11330037000157
19.5	radiator	1	11329031000031
19.7	radiator	1	11329031000067
20	discharge pipe assembly	1	11225505000722
21	suction pipe assembly	1	11225504000643
22	Accessories	1	11219005000166
22.1	putty	1	14618079000002
23	tape	1	11320022000016