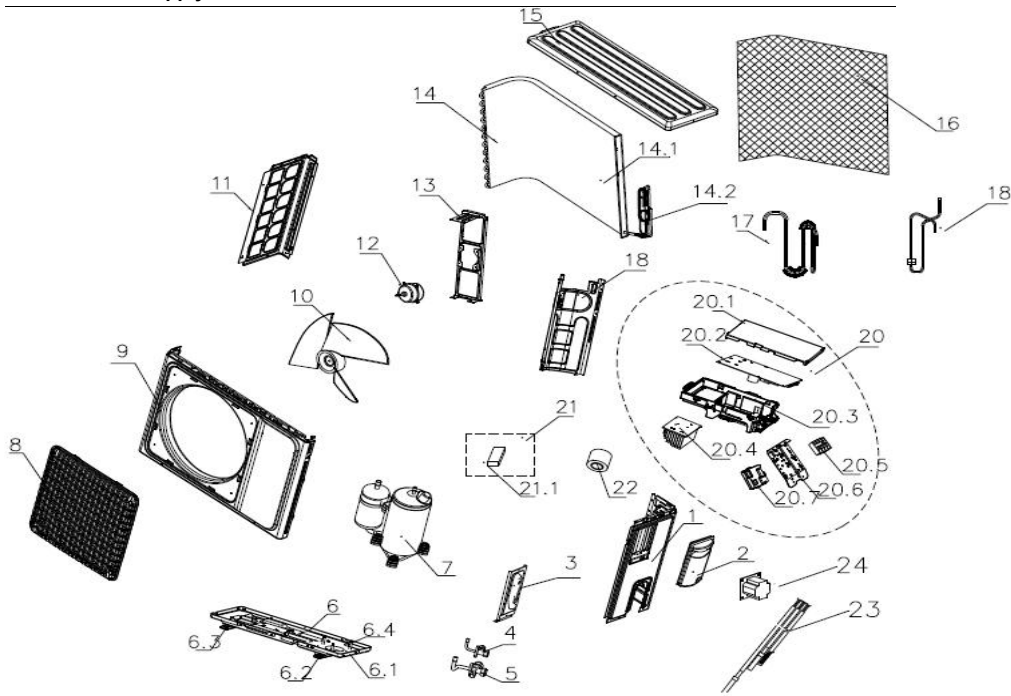


## RAC Exploded View

Model name: CJE12CD(O)  
 Power Supply: 208-230V/1Ph/60HZ

**ComfortStar®**



No	Part Name	Quantity	BOM Code
1	right side board	1	11321007000287
2	E-parts cover	1	11321008000014
3	valve plate	1	11321031000027
4	stop valve	1	11325042000030
5	stop valve	1	11225517000006
6	Chassis assembly	1	11221502000434
6.1	chassis	1	11321014000144
7	compressor	1	11223003000285
8	panel grille	1	11321022000241
9	panel	1	11321005000115
10	axial flow fan	1	11320009000049
11	left side board	1	11321006000108
12	motor	1	11230005000002
13	motor support	1	11321002000039
14	Condenser assembly	1	13224004001756
14.2	Capillary assembly	1	11225506001800
15	top cover	1	11321009000033
16	Cardboard	1	11332009000044
17	suction pipe assembly	1	11225504000788
18	discharge pipe assembly	1	112255050000927
19	partition board	1	11321025000048
20	Main controller	1	11222004000518
20.1	control box cover	1	11320058000057
20.2	Main control board	1	11222031001067

20.3	control box	1	11320057000069
20.4	terminal board	1	11330037000157
20.6	E-parts bracket	1	11321015000061
21	Accessories	1	11219005000166
21.1	putty	1	14618079000002
21.2	tape	1	11320022000016
23	temperature sensor	1	11329013000105
24	reactor	1	11330034000008