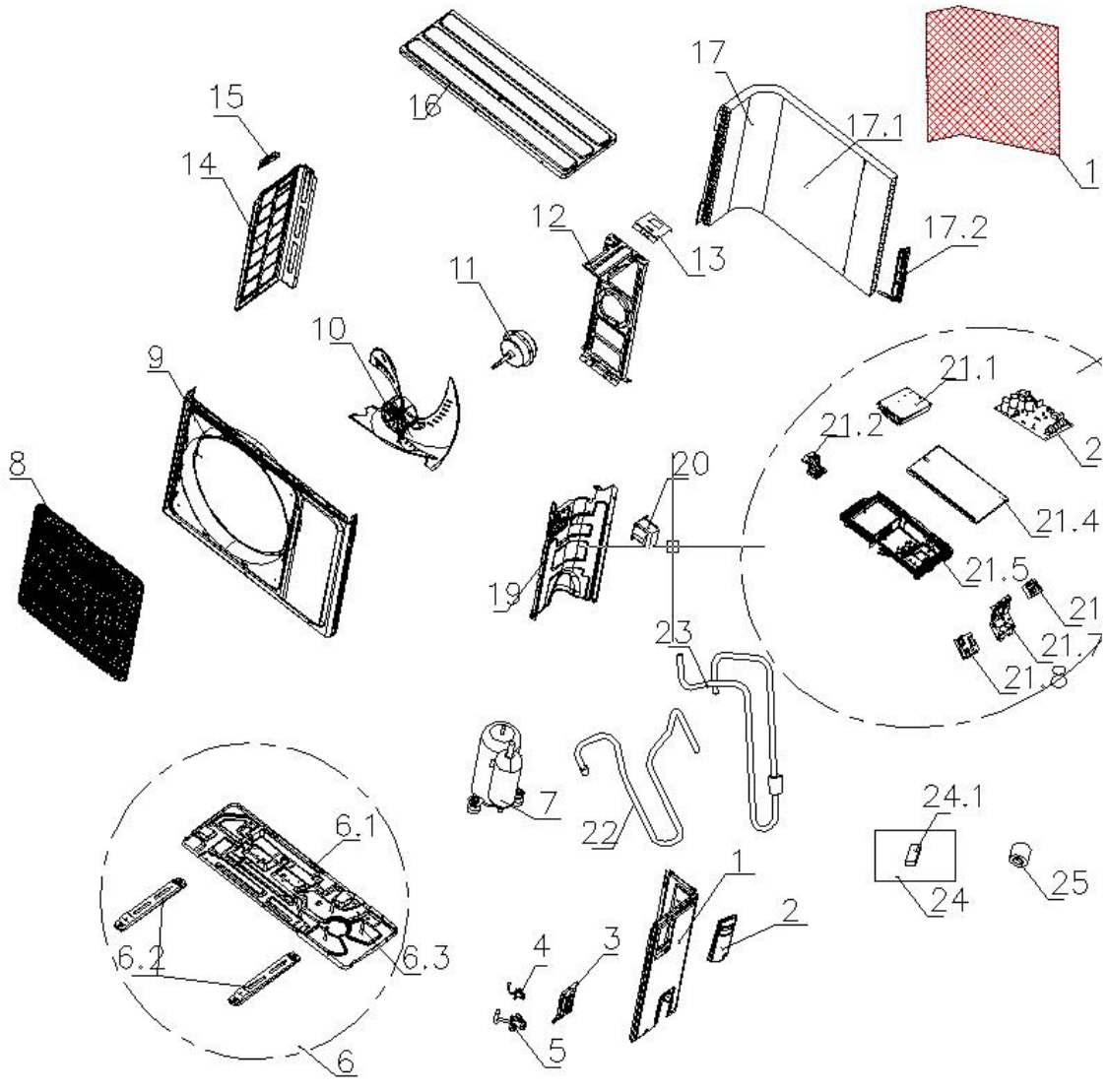


# RAC Exploded View

**Model name:** CBP24CD(O)

**Power Supply:** 208-230V/1Ph/60HZ

# Comfort



Serial number	Part Name	Quantity	BOM Code
1	right side board	1	11321007000344
3	valve plate	1	11321031000027
4	stop valve DG4	1	11225517000011
5	stop valve DG8	1	11225517000011

6	Chassis assembly	1	11221502000516
6.1	chassis	1	11321014000131
6.2	base footing	2	11321023000014
6.3	Screw Bolt	3	14731005000064
7	compressor	1	11223015000137
9	panel	1	11321005000084
10	axial flow fan	1	11320009000065
11	motor	1	11230005000019
12	motor support	1	11321002000032
13	condenser hanger	1	11321029000038
14	left side board	1	11321006000133
15	digger	1	11320097000010
16	top cover	1	11321009000038
17	Condenser assembly	1	13224004001744
17.1	condenser assembly	1	13224006000417
17.2	Cardboard	1	11332009000048
19	partition board	1	11321025000055
20	reactor	1	11330034000012
21	Main controller	1	11222004000980
21.2	radiator	1	11329031000036
21.3	layer board	1	11321032000007
21.4	PCB	1	11222031001039
21.5	control box cover	1	11321020000025
21.6	control box	1	11320057000087
21.7	terminal board	1	11330037000157
21.8	E-parts bracket	1	11321015000042
22	suction pipe assembly	1	11225504000942
23	discharge pipe assembly	1	11325020001701
24	Accessories	1	11219005000167
24.1	putty	1	14618079000002
25	plastic tie	1	11320022000016