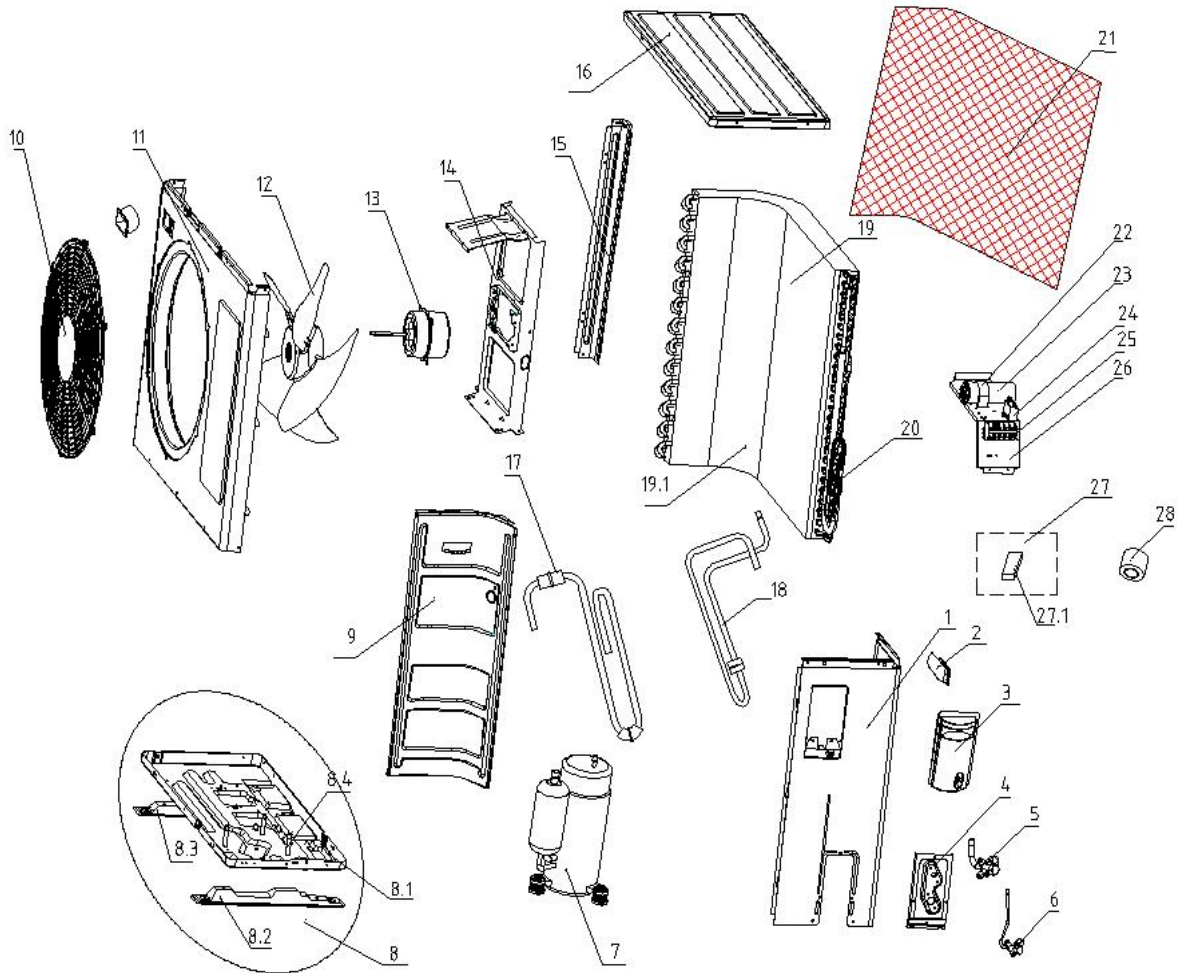


Model name:
Power Supply:

CDD24CD(O)/CSA24CD(O)
208-230V/1Ph/60HZ

ComfortStar®



No.	Part Name	Quantity	BOM Code
1	right side board	1	11321157000002
2	handle	1	11320097000011
3	E-parts cover	1	11320068000009
4	valve plate	1	11321031000027
5	stop valve	1	11325042000030
6	stop valve	1	11225517000011
7	Compressor assembly	1	11223003000209
8	Chassis assembly	1	11221502000556
8.4	compressor footing bolt	3	14731005000035
9	partition board	1	11321025000063

10	panel grille	1	11320026000052
11	panel	1	11321005000092
12	axial flow fan	1	11320009000064
13	outdoor motor	1	11230004000380
14	motor support	1	11321002000036
15	left support	1	11321156000002
16	top cover	1	11321009000052
17	suction pipe assembly	1	11225504000668
18	discharge pipe assembly	1	11325020001223
19	Condenser assembly	1	13224004001191
19.1	condenser assembly	1	13224006000364
20	Capillary assembly	1	11225506001874
21	rear plastic grille	1	11332009000051
22	Capacitor clamp	1	11321001000029
23	Compressor capacitor	1	11330009000089
24	Fan motor capacitor	1	11330010000114
25	terminal board	1	11330037000061
26	E-parts bracket	1	11321015000041
27	accessory bag	1	11219005000167
27.1	putty	1	14618079000003
28	plastic tie	1	11320022000019