

AUX RAC Exploded View

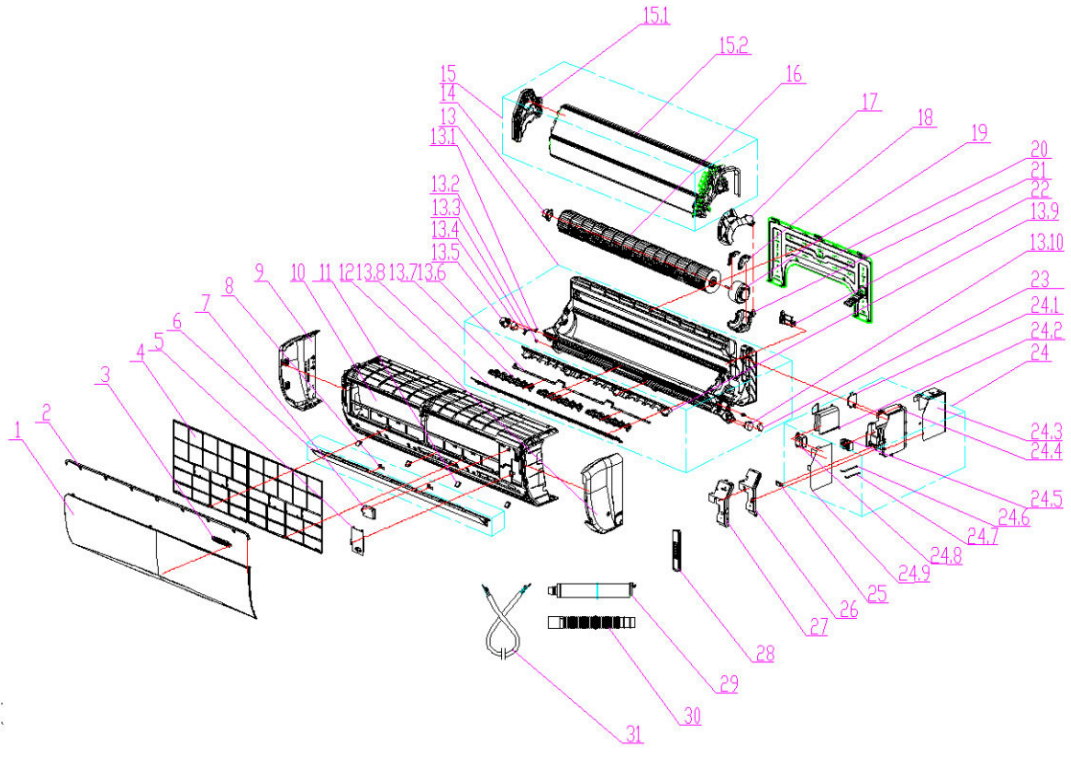
Model name:

CJE36CD(I)

Power Supply:

208-230V/1Ph/60HZ

ComfortStar®



No.	Part Name	Quantity	BOM Code
1	panel	1	11220502004482
3	display board	1	11222014000659
4	filter	2	11220508000160
6	air louver (Horizontal)	1	11320005000385
9	left cover	1	11320078000195
10	medium frame	1	11320002000309
11	Screw cover	4	11320096000104
12	right cover	1	11320078000194
13	chassis assembly	1	11220500000266
13.2	shaft sleeve	1	11320079000010
13.7	air blade (Vertical)	3	11320017000122
13.9	volute	1	11320135000022
13.10	air louver step motor	1	11230002000146
15	bearing fixed chassis	1	11320062000026
16	Evaporator assembly	1	11224003000821
16.1	evaporator left side carriage	1	11320015000151
16.2	evaporator assembly	1	11224009000371
16.2	evaporator assembly	1	11224009000372
17	cross flow fan	1	11220513000070
18	motor cover	1	11320052000049
20	IDU fan motor	1	11230005000031
21	mounting plate assembly	1	11221500000036
23	pipe clamp	1	11320084000013

24	Main controller	1	11222003002290
24.4	control box	1	11320057000066
24.5	terminal board	1	11330037000184
24.9	Main control board	1	11222009002642
27	cover of electric control box	1	11321020000029
28	Remote controller	1	13222041000007
29	water flow tube assembly	1	11220506000002
30	water hosepipe	1	11320020000008
31	power cable	1	11330021001017