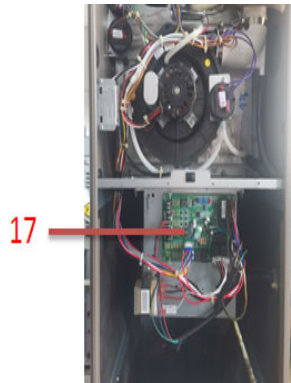
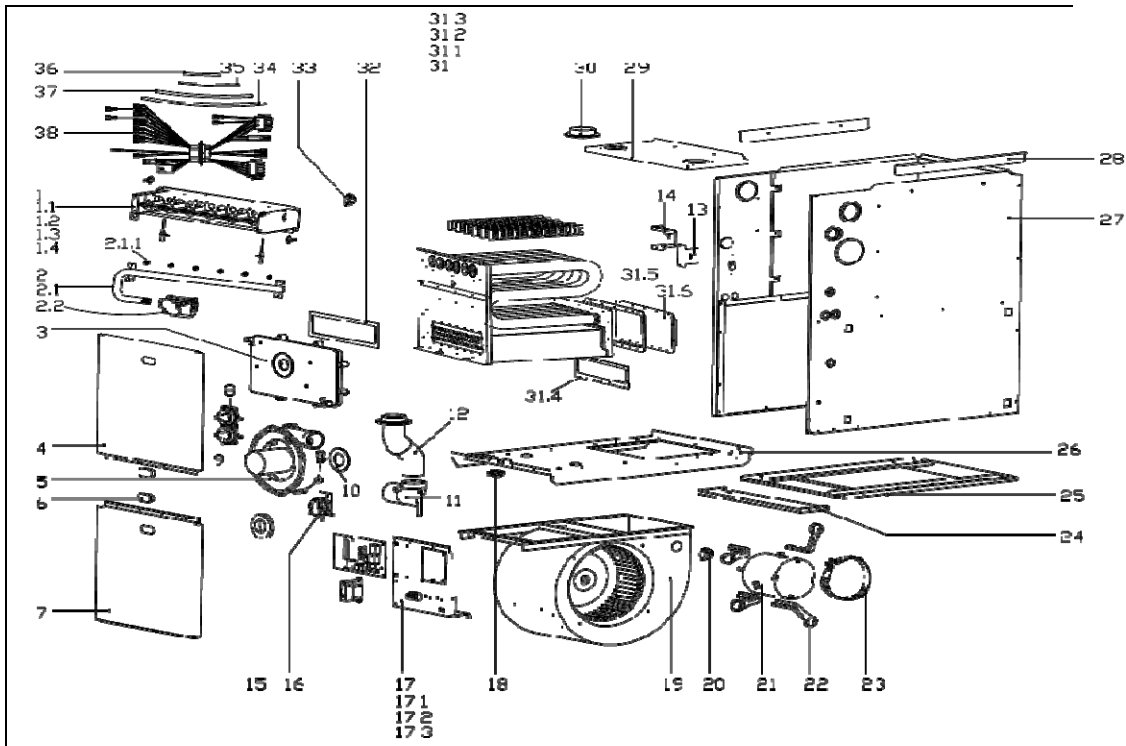
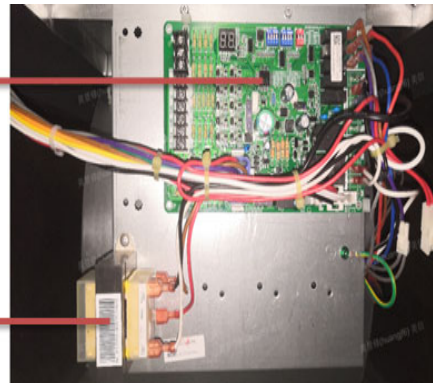


Model

96M120D5B



17.2



17.1

No.	Part Name	Quantity	BOM Code
1	Combustor assembly	1	12227600001405
1.1	Thermostat	2.0	17400513000045
1.2	Firing pin	1.0	17427600000007
1.3	Special sensor	1.0	11201006000010
1.4	Combustor	6.0	17427600000004
2	Gas pipe assembly	1	15427600000063
2.1	Gas pipe	1.0	15327600000002
2.1.1	Copper nozzle	6.0	15527600000001
2.2	Gas valve	1.0	17427600001389
3	Drain box weld assembly	1	12127600000020
4	Upper cover assembly	1	12227600000170
5	Exhaust fan components	1	17400801000935
6	Plastic cover	2	12127600000009
7	Bottom cover assembly	1	12227600000168
8	Air switch	1	17400515000422
9	Air switch	1	17400515000421
10	Smoke exhaust fan gasket	1	12427600000049
11	Smoke exhaust elbow	1	12127600000015
12	Smoke exhaust pipe joint assembly	1	12127600000016
13	Junction box cover	1	12227600000817
14	Junction box	1	12227600000818
15	Smoke vent fastener	1	12127600000045
16	Air switch	1	17400515000420
17	E-part box assembly	1	17227600000941
17.1	Linear Transformer	1.0	11203103000197
17.2	Tie-in assembly of main control board	1.0	17127600000708
18	Door switch	1	17427600001148
20	Thermostat	2	17400513000874
21	Brushless DC Motor	1	11002015011987
22	Motor bracket assembly I	4	12223000001933
23	Motor bracket II	1	12223000001993
24	Bottom supporting board	1	12227600000268
25	Base sealplate assembly	1	12227600000833
26	Partition board assembly	1	12227600000219
27	Cabinet assembly	1	12227600000837
28	Supporting bar assembly	2	12227600000274
29	Front cover assembly	1	12227600000165
30	Air inlet pipe joint	1	12127600000010
31	Heat exchanger assembly	1	15727600000078
31.1	Primary heat exchanger assembly	1.0	15727600000011
31.2	Secondary heat exchanger assembly	1.0	15827600000030
31.3	Spoiler	6.0	12227600000059
31.4	Heat exchanger gasket	1.0	12427600000024
31.5	Gas-collecting cover gasket	1.0	12427600000029
31.6	Back gas-collecting cover	1.0	12227600000233
32	Drain pan gasket	1	12427600000034
33	Thermostat	1	17400513001114
34	Silicone tube	1	12627600000005
35	Silicone tube	2	12627600000006
36	Silicone tube	1	12627600000007
37	Silicone tube	1	12627600000009
38	Strong electric cable group	1	17401203016840