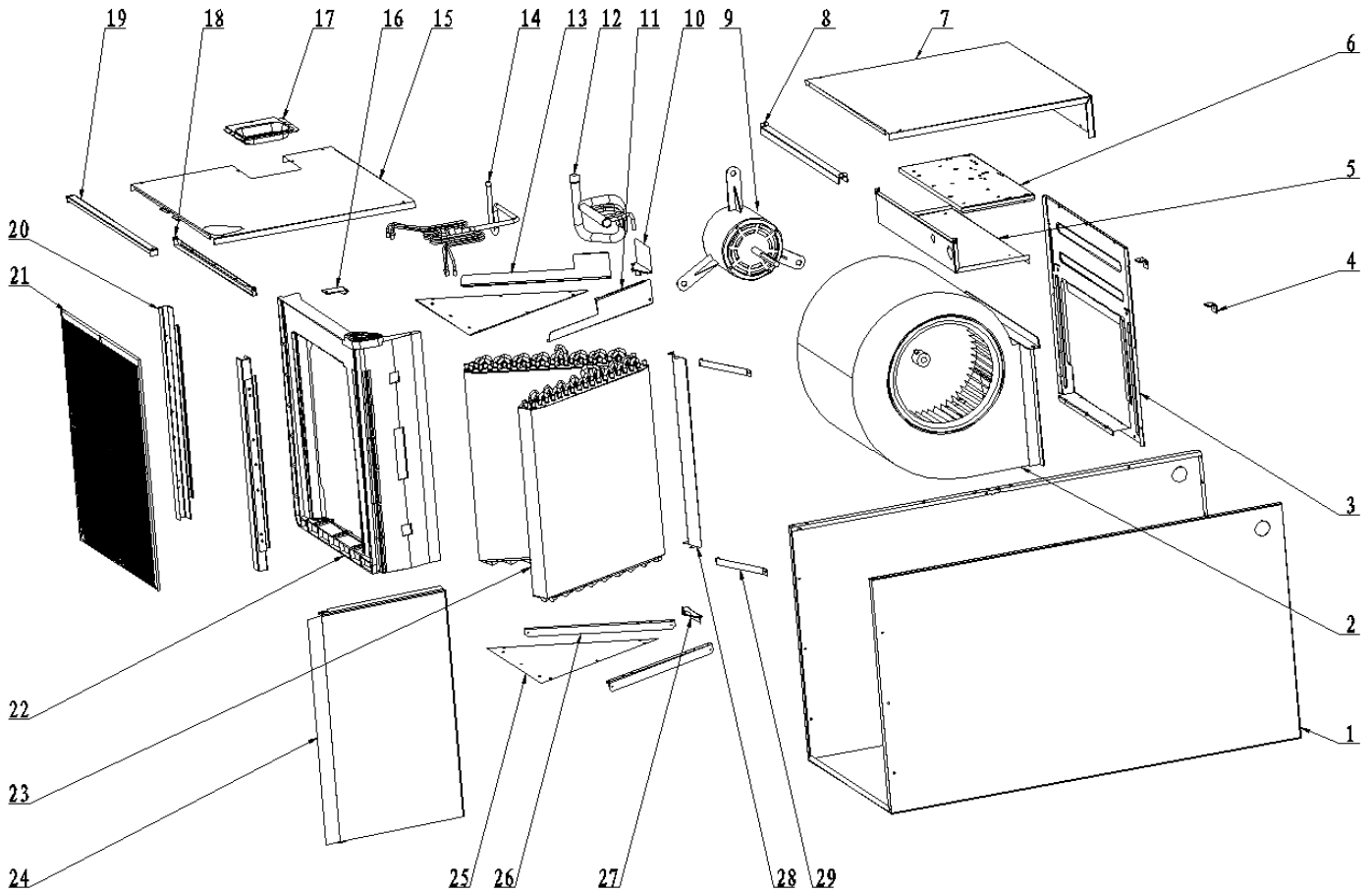
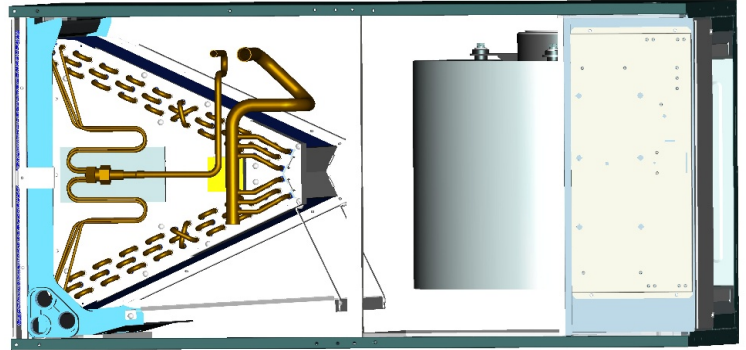
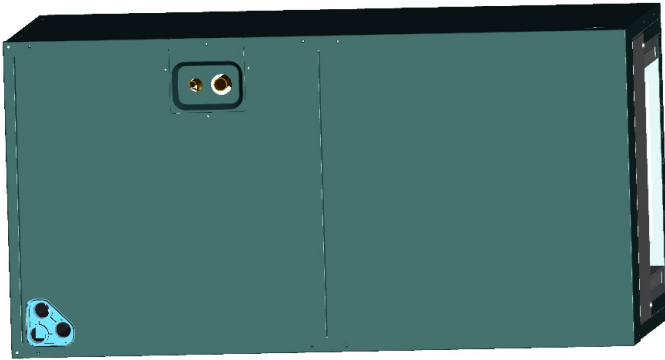


ComfortStar Model Number: AHE60-1

Power Supply: 208~230V/60Hz/1PH

ComfortStar®



No.	Part Name	Quantity	PART#	Remark
1	Chassis assembly	1	801234590071	
2	Right Volute Wind Wheel	1	801200200040	
3	Fan Motor Fixing plate	1	801234590105	
4	Wind Wheel Fixed Block	2	801234590106	
5	Electronic Control Fixing Plate Welding Assembl	1	801234590111	
6	Electronic Control Components	1	803334590009	
6.1	Electronic Control Mounting Plate	1	801234590109	
6.2	Main Board	1	803300301031	
6.3	Transformer	1	802300200079	
6.4	Temperature Sensor	1	802300400085	
6.5	Fan Motor Capacitor	1	802401000062	
7	Upper side plate assembly	1	801234590077	

<b>8</b>	Middle Cross Beam Assembly	1	801234590087	
<b>9</b>	Indoor Motor	1	802400400686	
<b>10</b>	Evaporator Fixing Plate #2	1	801234590099	
<b>11</b>	Evaporator Water Baffle #2	1	801234590096	
<b>12</b>	Air header Assembly	1	801634590017	
<b>13</b>	Evaporator Water Baffle #1	1	801234590095	
<b>14</b>	Diverter Assembly	1	801634590018	
<b>15</b>	Lower side plate assembly	1	801234590079	
<b>16</b>	Water pan fixed block	1	801234590091	
<b>17</b>	Pipe Cover plate assembly	1	801234590081	
<b>18</b>	Supporter	1	801234590090	
<b>19</b>	Filter Cover plate	1	801234590089	
<b>20</b>	Water pan supporter assembly	2	801234590083	
<b>21</b>	Filter	1	801134590001	
<b>22</b>	Water pan# 1	1	801134590002	
<b>23</b>	Evaporator	2	801534590016	
<b>24</b>	Water pan# 2	1	800734590102	
<b>25</b>	Evaporator Baffle	2	801234590094	
<b>26</b>	Evaporator Water Baffle #1	2	801234590095	
<b>27</b>	Evaporator Fixing Plate #1	1	801234590098	
<b>28</b>	Evaporator Junction Plate	1	801234590113	
<b>29</b>	Water pan brace	1	801234590103	