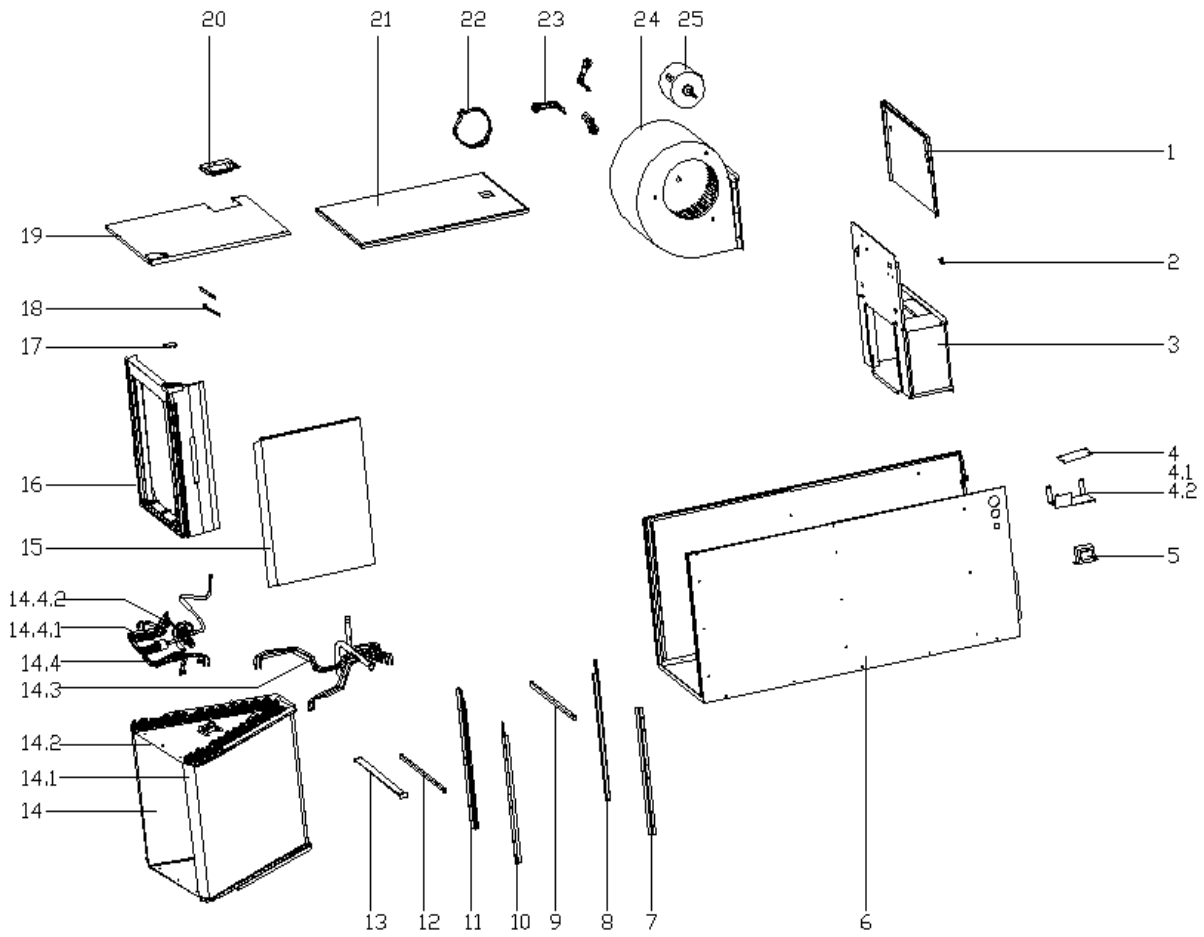
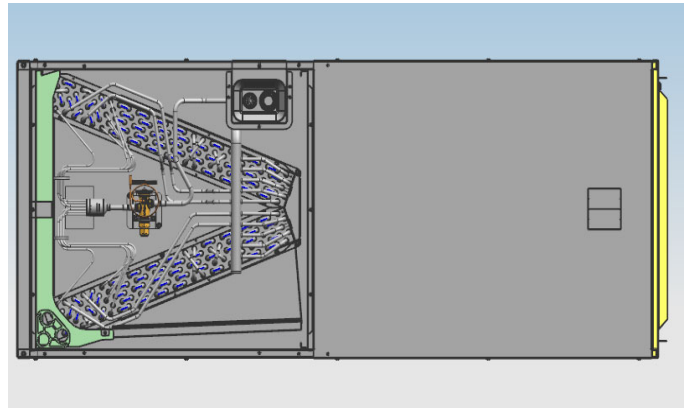
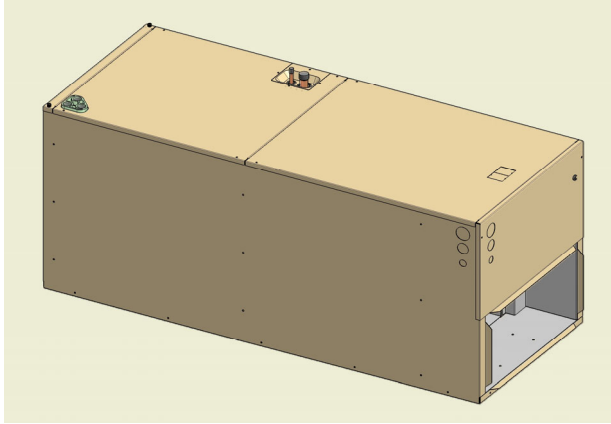
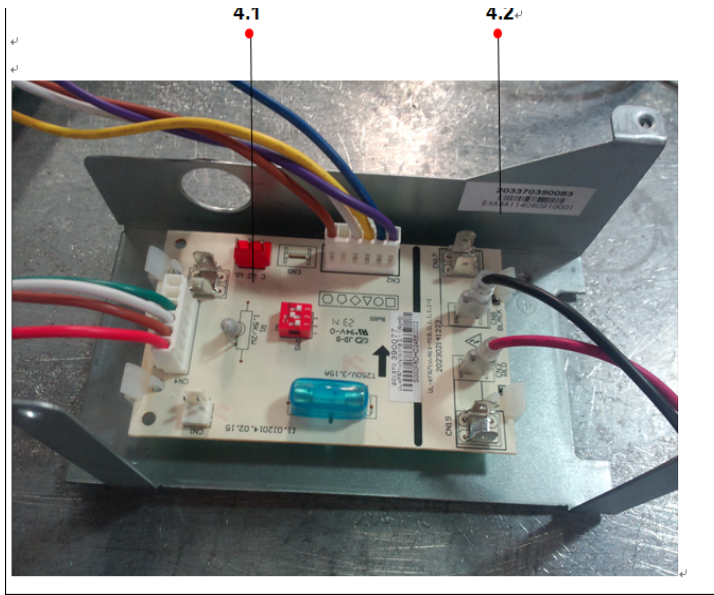


model AHH48-410

power 208/230V 60Hz





No.	Part Name	Quantity	BOM code	Price(\$\$)	Remark
1	Side board ass'y	1	201270890064		
2	Grounding terminal	1	202301440007		
3	Air duct ass'y	1	201270890101		
4	E-part box ass'y	1	203370390083		
4.1	Main control board ass'y	1	201370390077		
4.2	Electric installation board	1	201270590096		
5	Transformer	1	202300930295		
6	Base ass'y	1	201270890076		
7	Water tray supporting welding pieces	1	201270890133		
8	Drainage pan supporter ass'y	1	201270890135		
9	Supporter ass'y	1	201270890107		
10	Drainage pan supporting board	1	201270890066		
11	Drainage pan supporting board	1	201270890067		
12	Supporting bar	1	201270890069		
13	Cover board	1	201270890065		
14	Evaporator ass'y	1	201570790132		
14.1	Evaporator	1	201570590122		
14.2	Evaporator	1	201570590123		
14.3	Evaporator output pipe ass'y	1	201670790308		
14.4	Evaporator input pipe ass'y	1	201670790310		
14.4.1	Distributor	1	201600500118		
14.4.2	Expansion valve	1	201601300508		
15	Drainage pan	1	201270890068		
16	Drain pan ass'y	1	201170890005		
17	Drainage pan clap	1	201270390194		
18	2 water tray brace	2	201270390363		
19	Side board ass'y	1	201270890293		
20	Cover plate ass'y	1	201270390192		
21	Upside board ass'y	1	201270890075		
22	Motor bracket II	1	201270390273		
23	Motor bracket I	3	201270390288		
24	Centrifugal fan	1	201200300894		
25	Motor	1	202400300560		