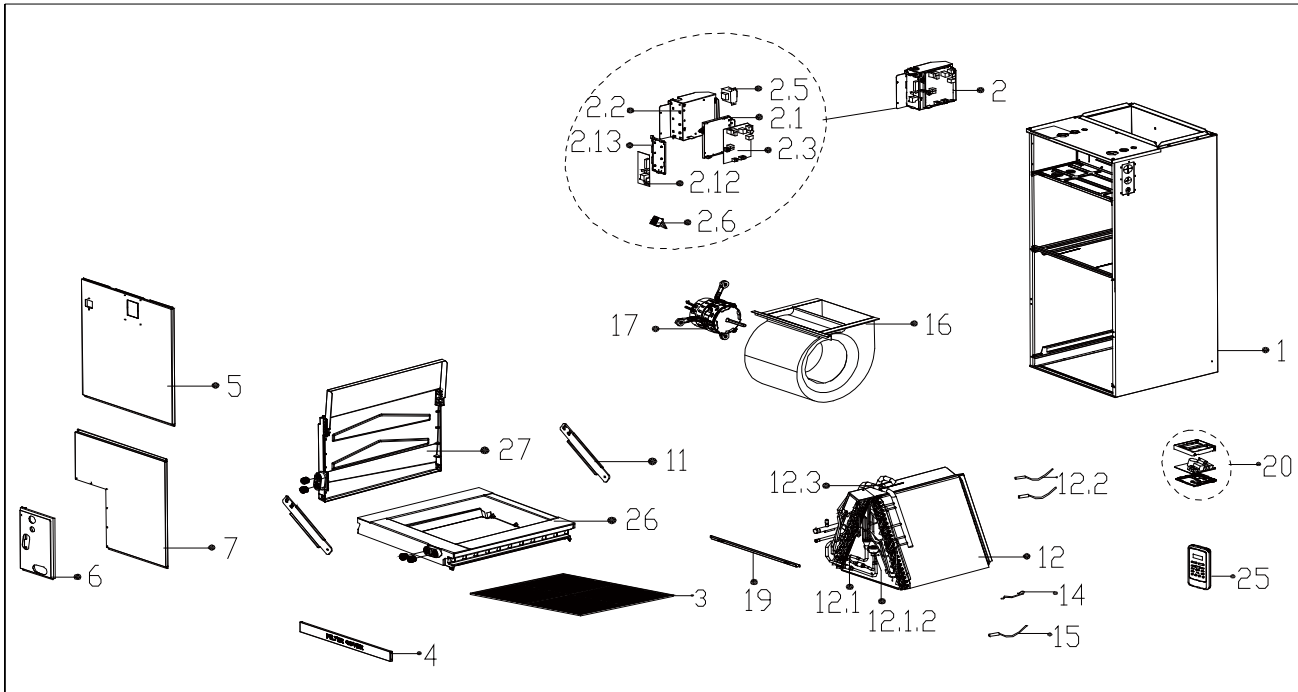


## Exploded View

Sale Model:

AHU24-SG2



No.	Part Name	Quantity	BOM Code	Price	Remark1	Remark2
1	Chassis assembly	1.0	12223100000662	91.18		
2	Duct electronic control box subassembly	1.0	17223000007762	46.61		
2.1	Installation plate for main board	1.0	12123000000920	0.9		
2.2	E-part box Subassembly	1.0	12223100000631	3.56		
2.3	Duct main control board subassembly	1.0	17123000007977	17.57		
2.5	Linear Transformer	1.0	11203103000087	5.84		
2.6	Wire joint	1.0	17400401000085	1.75		
2.12	Data transfer module control board printed board su	1.0	17122000054055	17.44		
2.13	Bracket of main control board	1.0	12120300000522	0.23		
3	Air filter	1.0	12223000014170	4.2		
4	Dust mesh	1.0	12223100000654	1.56		
5	Upper Cover Plate assembly	1.0	12223100000664	14.39		
6	Clamp for connecting pipe assembly	1.0	12223100000651	5		
7	Under Cover Plate assembly	1.0	12223100000666	9.67		
11	Bracket for Water collector	2.0	12223100000663	0.25		
12	Evaporator assembly	1.0	15823100000522	97.32		
12.1	Evaporator inlet pipe subassembly	1.0	15123000012627	27.95		
12.1.2	Electronic expansion valve body	1.0	15500213000176	10.62		
12.2	T2 Pipe Temperature Sensor	1.0	11201007003441	0.48		
12.2	T2A、T2B Pipe temperature sensor	1.0	11201007004863	2.05		
12.3	Evaporator output tube assembly (aluminum tube)	1.0	15223000000286	14.94		
15	Room Temperature Sensor	1.0	11201007003563	0.54		
16	Fan ass'y	1.0	12200101000018	29.81		
17	Brushless DC Motor	1.0	11002015013969	177.79		
19	Clamp for Cover Plate assembly	1.0	12223100000665	0.71		
20	Wired controller	1.0	17317100006115	24.98		
25	Remote controller	1.0	17317000A60047	4.44		
26	Main Water collector assembly	1.0	12123100000025	19.68		
27	Deputy Water collector assembly	1.0	12123100000026	15.86		